

INSTRUCTION AND PARTS BOOK NO. 10-18-11

MEYER'S

HEAVY DUTY MANURE SPREADERS

MODELS: 3600 & 3750



DO NOT operate this Spreader until you have read this book

NEVER repair or clean this Spreader while PTO is engaged



Manufactured in DORCHESTER, WI BY

**MEYER'S EQUIPMENT
MFG. CORP.**

Part Numbers E00003 - E24150

INTRODUCTION

Congratulations on the purchase of your new Meyer's Manure Spreader. With its optional equipment this is the simplest, most flexible system on the market today. With proper operation and preventative maintenance it will last for years.



This **SAFETY ALERT SYMBOL** means **ATTENTION! BE CAREFUL! YOUR SAFETY IS INVOLVED!** It stresses an attitude of **HEADS UP FOR SAFETY**. When you see this symbol, be alert to the possibility of **PERSONAL INJURY** and carefully read the message that follows.



WARNING:

NEVER OPERATE WITHOUT ALL COVERS, SHIELDS AND GUARDS IN PLACE. KEEP HANDS, FEET AND CLOTHING AWAY FROM MOVING PARTS. SOME COVERS AND GUARDS HAVE BEEN REMOVED FOR ILLUSTRATIVE PURPOSES ONLY IN THIS MANUAL. FAILURE TO HEED MAY RESULT IN SERIOUS PERSONAL INJURY OR DEATH.

At the front of this manual is a Product Registration and Inspection Certificate. Be sure your dealer has completed this certificate and forwarded a copy to the manufacturer to validate the manufacturer's warranty.

The product model and serial number are recorded on this certificate for your convenience and for proper identification of your spreader by your dealer and the manufacturer when ordering repair parts.

The serial number plate is found on the front center of the spreader, just below the Implement PTO shaft. For information on ordering repair parts, refer to the repair parts section of this manual. Orders must list the complete description, correct part number, and total amount required.

All references to right hand and left hand apply to the product as viewed from the rear of the machine and facing the direction of forward travel.

You are urged to study this manual and follow the instructions carefully. Your efforts will be repaid in better operation and service as well as a savings in time and repair expense. Failure to read this manual and understand the machine could lead to serious injury. If you do not understand instructions in this manual, contact either your dealer or Meyer's Equipment Manufacturing Corp. at Dorchester, WI 54425.

This supercedes all previous published instructions

TABLE OF CONTENTS

INTRODUCTION	2
SAFETY	4
SAFETY SIGNS.....	6
MANURE SPREADER SAFETY.....	8
MANDATORY SAFETY SHUTDOWN PROCEDURE	9
PRE-OPERATION	10
General.....	10
Tractor Hitch And PTO Requirements	10
A.D.M.A. Recommendations:	10
Tractor Size Requirements.....	11
Tractor Towing Size Requirements	11
Material Estimated Weight Per Cubic Foot.....	11
General	11
Set Up for Open Or Closed Center Hydraulic Operation.....	12
Electric Control Installation	12
Transporting	13
General	13
Use Safety Chain.....	13
Use Lights.....	13
OPERATION	14
Tractor Hookup.....	14
Loading.....	14
Unloading	15
Mandatory Safety Shutdown Procedure	15
MAINTENANCE, ADJUSTMENTS & LUBRICATION	16
Automatic Over Running Clutch.....	16
Adjustments.....	16
Apron Chain.....	16
Roller Chain Adjustment.....	16
Tensioning V-Belt Drive	16
Lubrication	17
Cleaning and Storage.....	19
REPAIR PARTS.....	20
LIMITED WARRANTY STATEMENT	64

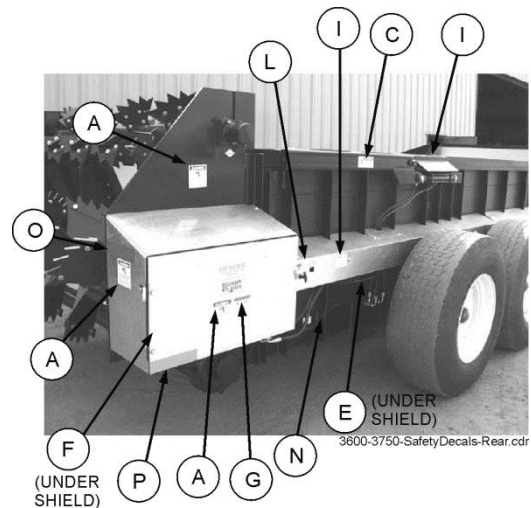
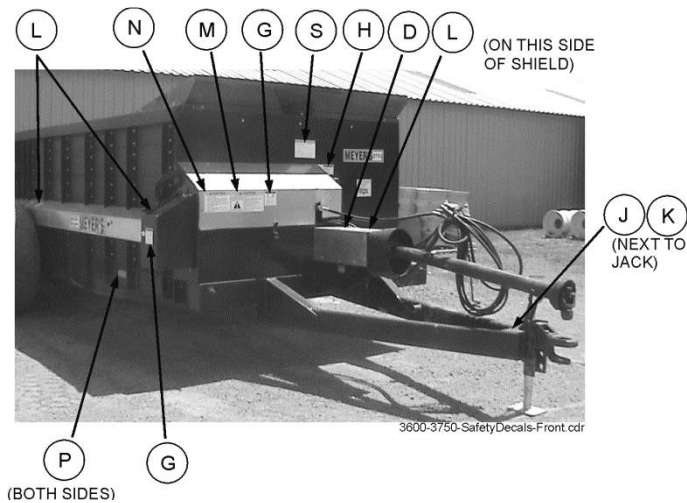
SAFETY

A brief definition of signal words that may be used in this manual:

! DANGER: Indicates an imminently hazardous situation that, if not avoided, will result in serious injury or death.

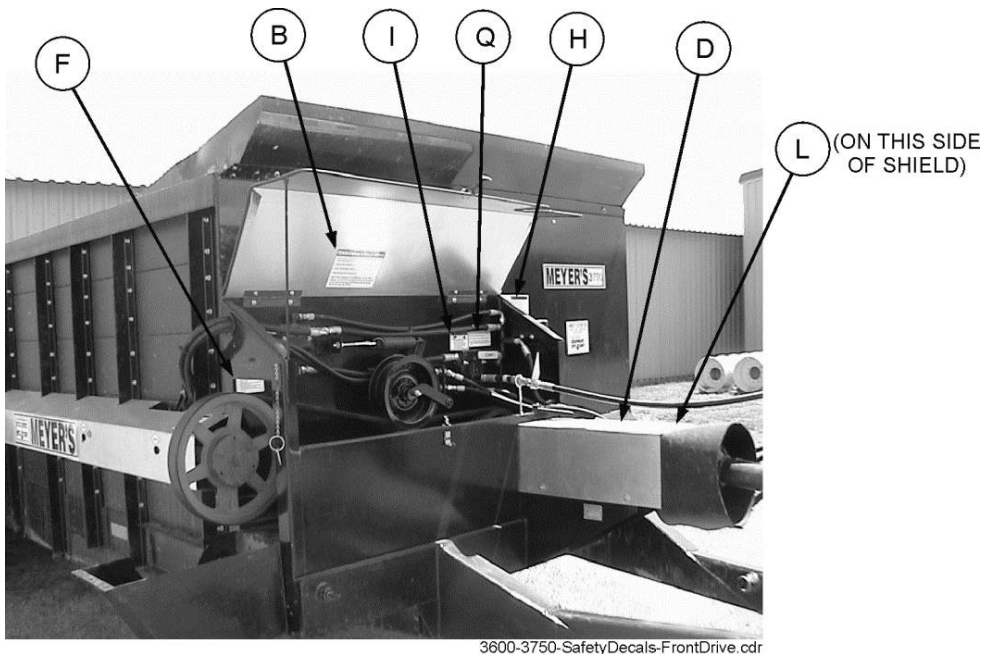
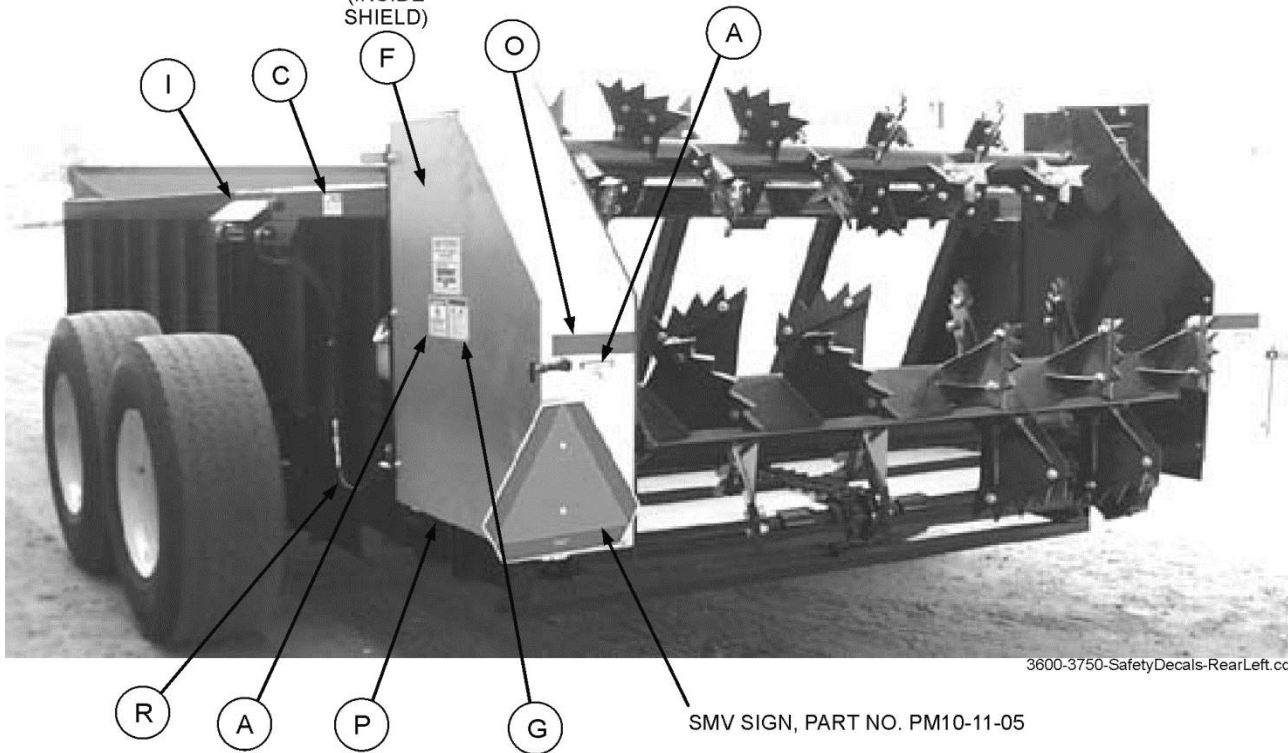
! WARNING: Indicates a potentially hazardous situation that, if not avoided, could result in death or serious injury, and includes hazards that are exposed when guards are removed.

! CAUTION: Indicates a potentially hazardous situation that, if not avoided, may result in minor or moderate injury.



! CAUTION: IF ANY SAFETY SIGN BECOMES UNREADABLE FOR ANY REASON, THE SIGN MUST BE REPLACED WITH A NEW SIGN. IF THE SPREADER IS REPAINTED, ALL SAFETY SIGNS MUST BE REPLACED. CONTACT YOUR DEALER OR MEYER'S EQUIPMENT MANUFACTURING CORP. IF YOU REQUIRE ANY SHIELD OR SIGNS FOR REPLACEMENT.

DECALS ARE ILLUSTRATED ON PAGES 6 and 7.
(INSIDE SHIELD)




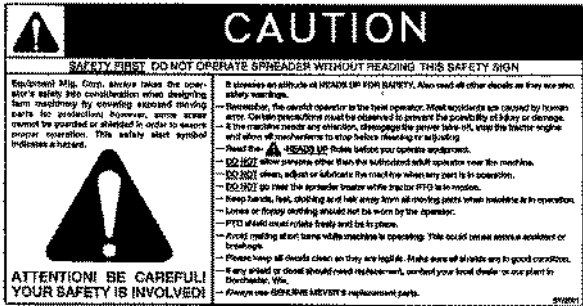
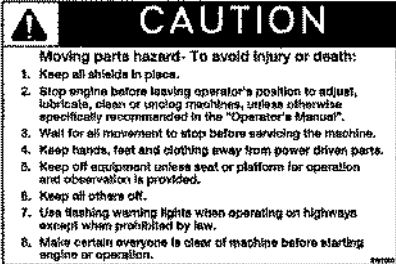

CAUTION: IF ANY SAFETY SIGN BECOMES UNREADABLE FOR ANY REASON, THE SIGN MUST BE REPLACED WITH A NEW SIGN. IF THE SPREADER IS REPAINTED, ALL SAFETY SIGNS MUST BE REPLACED. CONTACT YOUR DEALER OR MEYER'S EQUIPMENT MANUFACTURING CORP. IF YOU REQUIRE ANY SHIELD OR SIGNS FOR REPLACEMENT.

⚠ SAFETY SIGNS

<div style="border: 1px solid black; padding: 5px;"> <div style="background-color: black; color: white; text-align: center; padding: 2px;">⚠ DANGER</div> <div style="text-align: center; font-weight: bold; font-size: small;">ROTATING BEATER HAZARD</div> <p style="font-size: x-small;">To prevent serious injury or death by entanglement:</p> <ul style="list-style-type: none"> Do not clean, stand in, or climb on machine when operating. Place controls in neutral, stop engine, set park brake, remove ignition key and wait for all moving parts to stop before cleaning, servicing, adjusting, repairing or unplugging. <p style="text-align: right; font-size: x-small;">3000</p> </div>	<div style="border: 1px solid black; padding: 5px;"> <p style="text-align: center; font-weight: bold; font-size: small;">TENSIONING V-BELT DRIVE</p> <ol style="list-style-type: none"> 1. Ideal tension is the lowest tension at which the belt will not slip under peak load conditions. 2. Check tension frequently during the first 24-48 hours of operation. 3. OVER TENSIONING SHORTENS BELT AND BEARING LIFE. 4. Keep belts free from foreign material which may cause slip. 5. Make V-drive inspection on a periodic basis. Tension when slipping- 1 to 2 full turns on eyebolt nut at a time until slipping is not noticed. Never apply belt dressing as this will damage the belt and cause early failure. </div>	<div style="border: 1px solid black; padding: 5px;"> <div style="background-color: black; color: white; text-align: center; padding: 2px;">⚠ DANGER</div> <div style="text-align: center; font-weight: bold; font-size: x-small;">HYDRAULIC ENDGATE HAZARD</div> <p style="font-size: x-small;">To prevent serious injury or death from crushing:</p> <ul style="list-style-type: none"> Stand clear to avoid being struck by endgate arms. Do not stand or climb on machine when operating. Stay away from beneath the endgate and gate arms when they are in the raised position or are being lowered. <p style="text-align: right; font-size: x-small;">3001</p> </div>
DECAL A. PART NO. 3000	DECAL B. PART NUMBER 3012	DECAL C. PART NO. 3001
<div style="border: 1px solid black; padding: 5px;"> <div style="background-color: black; color: white; text-align: center; padding: 2px;">⚠ DANGER</div> <div style="text-align: center; font-weight: bold; font-size: x-small;">ROTATING DRIVELINE HAZARD</div> <p style="font-size: x-small;">To prevent serious injury or death from rotating drivelines:</p> <ul style="list-style-type: none"> Keep all guards in place when operating. Operate only at 1000 RPM. Keep hands, feet, hair and clothing away from moving parts. <p style="text-align: right; font-size: x-small;">SW105</p> </div>	<div style="border: 1px solid black; padding: 5px;"> <div style="background-color: black; color: white; text-align: center; padding: 2px;">⚠ DANGER</div> <div style="text-align: center; font-weight: bold; font-size: x-small;">SHIELD MISSING DO NOT OPERATE</div> <p style="font-size: x-small;">To prevent serious injury or death from moving parts:</p> <ul style="list-style-type: none"> Close and secure guards and shields before starting. Keep hands, feet, hair and clothing away from moving parts. Disconnect and lockout power source before adjusting or servicing. Do not stand or climb on machine when operating. <p style="text-align: right; font-size: x-small;">SW404-1</p> </div>	<div style="border: 1px solid black; padding: 5px;"> <div style="background-color: black; color: white; text-align: center; padding: 2px;">⚠ DANGER</div> <div style="text-align: center; font-weight: bold; font-size: x-small;">SHIELD MISSING DO NOT OPERATE</div> <p style="font-size: x-small;">To prevent serious injury or death from moving parts:</p> <ul style="list-style-type: none"> Close and secure guards and shields before starting. Keep hands, feet, hair and clothing away from moving parts. Disconnect and lockout power source before adjusting or servicing. Do not stand or climb on machine when operating. <p style="text-align: right; font-size: x-small;">SW404-1</p> </div>
DECAL D PART NO. SW105 (FOR 1000 RPM)	DECAL E. PART NO. SW102	DECAL F. PART NO. SW404-1
<div style="border: 1px solid black; padding: 5px;"> <div style="background-color: black; color: white; text-align: center; padding: 2px;">⚠ WARNING</div> <div style="text-align: center; font-weight: bold; font-size: x-small;">MOVING PART HAZARD</div> <p style="font-size: x-small;">To prevent serious injury or death from moving parts:</p> <ul style="list-style-type: none"> Close and secure guards and shields before starting. Keep hand, feet, hair and clothing away from moving parts. Disconnect and lockout power source before adjusting or servicing. Do not stand or climb on machine when operating. <p style="text-align: right; font-size: x-small;">SW404</p> </div>	<div style="border: 1px solid black; padding: 5px;"> <p style="text-align: center; font-size: x-small;">2003</p> </div>	<div style="border: 1px solid black; padding: 5px;"> <div style="background-color: black; color: white; text-align: center; padding: 2px;">⚠ WARNING</div> <div style="text-align: center; font-weight: bold; font-size: x-small;">TO PREVENT SERIOUS INJURY OR DEATH</div> <ul style="list-style-type: none"> AVOID unsafe operation or maintenance. DO NOT start, operate, or work on this machine without first carefully reading and thoroughly understanding the entire contents of the operators manual. (Requires the same of all personnel who will operate this machine.) If operators manual is lost, contact your nearest Meyer's Dealership or write or call: MEYER'S EQUIPMENT MFG., CORP. P.O. Box 406 • Dodgeville, WI 53425 Phone 1-800-783-3536 <p style="font-size: x-small;">Please give your name, address, model and serial number of your machine. A manual will be furnished.</p> <ul style="list-style-type: none"> If you have any questions about operation or adjustments, and maintenance of this machine, contact your Meyer's Dealership or Meyer's Equipment Mfg. Corp. before starting or continuing the operation of this machine. </div>
DECAL G. PART NO. SW404	DECAL H. PART NO. 3006	
<div style="border: 1px solid black; padding: 5px;"> <div style="background-color: black; color: white; text-align: center; padding: 2px;">⚠ WARNING</div> <div style="text-align: center; font-weight: bold; font-size: x-small;">HIGH-PRESSURE FLUID HAZARD</div> <p style="font-size: x-small;">To prevent serious injury or death:</p> <ul style="list-style-type: none"> Relieve pressure on system before repairing or adjusting or disconnecting. Wear proper hand and eye protection when searching for leaks. Use wood or cardboard instead of hands. Keep all components in good repair. <p style="text-align: right; font-size: x-small;">SW700</p> </div>	<div style="border: 1px solid black; padding: 5px;"> <div style="background-color: black; color: white; text-align: center; padding: 2px;">⚠ WARNING</div> <div style="text-align: center; font-weight: bold; font-size: x-small;">CRUSHING HAZARD</div> <div style="font-size: x-small;">Support jack is NOT intended to support a loaded spreader box, mechanical damage to the jack and/or its support may result.</div> <p style="text-align: right; font-size: x-small;">3007</p> </div>	<div style="border: 1px solid black; padding: 5px;"> <div style="background-color: black; color: white; text-align: center; padding: 2px;">⚠ WARNING</div> <div style="text-align: center; font-weight: bold; font-size: x-small;">CRUSHING HAZARD</div> <p style="font-size: x-small;">To prevent serious injury or death:</p> <ul style="list-style-type: none"> Keep hands and body out of hitch area when attaching towing vehicle. Keep body clear of crush point between towing vehicle and load. </div>
DECAL I. PART NO. 700	DECAL J. PART NO. 3003	DECAL K. PART NO. 3004

⚠ CAUTION: IF ANY SAFETY SIGN BECOMES UNREADABLE FOR ANY REASON, THE SIGN MUST BE REPLACED WITH A NEW SIGN. IF THE SPREADER IS REPAINTED, ALL SAFETY SIGNS MUST BE REPLACED. CONTACT YOUR DEALER OR MEYER'S EQUIPMENT MANUFACTURING CORP. IF YOU REQUIRE ANY SHIELD OR SIGNS FOR REPLACEMENT.

⚠ SAFETY SIGNS

<div style="border: 1px solid black; padding: 5px;">  <p style="text-align: center;">⚠ WARNING</p> <p style="text-align: center;">MOVING PART HAZARD</p> <p>To prevent serious injury or death from moving parts:</p> <ul style="list-style-type: none"> • Close and secure guards and shields before starting. • Keep hand, feet, hair and clothing away from moving parts. • Disconnect and lockout power source before adjusting or servicing. • Do not stand or climb on machine when operating. <p style="text-align: right; font-size: small;">8W408</p> </div>	<div style="border: 1px solid black; padding: 5px;">  <p style="text-align: center;">⚠ CAUTION</p> <p style="text-align: center; font-size: small;">SAFETY FIRST. DO NOT OPERATE SPREADER WITHOUT READING THIS SAFETY SIGN</p> <p style="font-size: x-small;">Equipment Mfg. Corp. Electric takes the operator's safety job considerations most seriously. To prevent serious injury or death from moving parts by avoiding accident moving parts for production purposes, some areas cannot be guarded or shielded in order to ensure proper operation. This safety alert symbol indicates a hazard.</p> <p style="text-align: center;">⚠</p> <p style="text-align: center;">ATTENTION! BE CAREFUL! YOUR SAFETY IS INVOLVED!</p> <p style="font-size: x-small;">It stresses an article of NEARLY 100% SAFETY. Also read all other decals as they are also safety messages.</p> <ul style="list-style-type: none"> — Reconnect, the correct operator to the rear operator. Most accidents are caused by human error. Certain precautions must be observed to prevent the possibility of injury or damage. — If the machine starts an extension, disengage the power take-off, stop the tractor engine and allow all mechanisms to stop before reworking or adjusting. — Read the OPERATOR'S MANUAL before you operate any spreader. — DO NOT allow anyone other than the authorized adult operator near the machine. — DO NOT clean, adjust or lubricate the machine when any part is in operation. — DO NOT go near the spreader tractor while the tractor P.T.O. is in motion. — Keep hands, feet, clothing and hair away from all moving parts when machine is in operation. — Loose or floppy clothing should not be worn by the operator. — P.T.O. shields must remain freely and be in place. — Avoid reading about using while machine is operating. This could prevent serious accident or damage. — Please keep all decals clean as they are legible. Replace some of all decals are in good condition. — If any shield or decal should need replacement, contact your local dealer or call plant in Dorchester, Wis. — Always use GENUINE MEYER'S replacement parts. <p style="text-align: right; font-size: x-small;">3009</p> </div>
DECAL L. PART NO. SW406	DECAL M. PART NO. SW2001
<div style="border: 1px solid black; padding: 5px;">  <p style="text-align: center;">⚠ CAUTION</p> <p style="font-size: x-small;">Moving parts hazard- To avoid injury or death:</p> <ol style="list-style-type: none"> 1. Keep all shields in place. 2. Stop engine before leaving operator's position to adjust, lubricate, clean or service machines, unless otherwise specifically recommended in the "Operator's Manual". 3. Wait for all movement to stop before servicing the machine. 4. Keep hands, feet and clothing away from power driven parts. 5. Keep off equipment unless seat or platform for operation and observation is provided. 6. Keep all others off. 7. Use flashing warning lights when operating on highways except when prohibited by law. 8. Make certain everyone is clear of machine before starting engine or operation. <p style="text-align: right; font-size: x-small;">3009</p> </div>	
DECAL N. PART NO. SW2000	DECAL O. REFLECTIVE TAPE RED PART NO. PM17-5915
	<div style="border: 1px solid black; padding: 5px;"> <p style="text-align: center; font-weight: bold; font-size: small;">OPERATING PROCEDURES FOR HYDRAULIC SYSTEM</p> <ol style="list-style-type: none"> 1. Open Center System: Ball Valve must be open. 2. Tractors with Closed Center System: Ball Valve must be closed. 3. Tractors with Closed Center System w/ load sensing that has a Priority Flow Circuit that is manually adjustable: Ball Valve must be Open. <p style="text-align: right; font-size: x-small;">3009</p> </div>
DECAL P. REFLECTIVE TAPE-YELLOW PART NO. PM17-5910	DECAL Q. PART NO. 3009
<div style="border: 1px solid black; padding: 10px; text-align: center;"> <p style="font-size: 2em; font-weight: bold; margin: 0;">GREASE AXLE</p>  <p style="font-size: x-small; margin: 0;">3008</p> </div>	<p style="text-align: center; font-weight: bold; font-size: 1.2em; margin-bottom: 10px;"><u>START UP PROCEDURE</u></p> <ol style="list-style-type: none"> 1. Make certain everyone is clear of machine before starting engine or operation. 2. Turn Flow Control to Slowest Position. 3. Engage P.T.O. 4. RAISE END GATE. 5. Engage Tractor Hydraulic Lever to Full Flow Position. 6. Start Apron by Rotating Flow Control Dial Clockwise.
DECAL R. PART NO. 3008	DECAL S. PART NO. 3011

⚠ CAUTION: IF ANY SAFETY SIGN BECOMES UNREADABLE FOR ANY REASON, THE SIGN MUST BE REPLACED WITH A NEW SIGN. IF THE SPREADER IS REPAINTED, ALL SAFETY SIGNS MUST BE REPLACED. CONTACT YOUR DEALER OR MEYER'S EQUIPMENT MANUFACTURING CORP. IF YOU REQUIRE ANY SHIELD OR SIGNS FOR REPLACEMENT.

MANURE SPREADER SAFETY

CAUTION

THERE ARE INHERENT HAZARDS ASSOCIATED WITH THE OPERATION OF A MANURE SPREADER. FOR YOUR SAFETY:

- Never Enter Spreader Box While In Operation For Any Reason.
- Only Properly Instructed People Should Operate The Spreader. Do Not Allow Children Or Inexperienced Persons To Operate Spreader.
- Keep All Guards And Shields In Place. Moving Parts Can Crush And Dismember.
- Clear The Area Before Equipment Start Up.
- Keep Hands, Feet, And Loose Clothing Away From Moving Parts.
- Do Not Go Near The Spreader Beaters While Machine Is Operating.
- Make Sure The PTO Is Securely Locked To Both The Tractor And Spreader Before Operating The Unit.
- Do Not Operate The PTO At Speeds Higher Than The Manufacturers Recommendations.
- Highway Traffic Is Not To Exceed 20 Mph. The Tires Supplied Are For Farm Use Only And Are Not Designed For Use Above This Speed Unless Equipped With High Speed Highway/Offroad Farm Tires.
- Use Adequate Safety Chains When Towing The Spreader.
- The Use Of A Slow moving Vehicle Sign Is Required On All Public Roads Unless Equipped With Flashing Hazard Lights. Obey All Applicable Highway Safety Laws And Rules.
- Always Use A Tractor Large Enough To Provide Sufficient Braking Assistance When Towing A Loaded Spreader.
- Use Caution When Traveling Over Uneven Terrain And When Approaching Stops.
- Do Not Load The Spreader Unless It Is Hitched To The Tractor.
- Do Not Unhitch A Loaded Spreader From The Tractor Leaving It Supported By Only The Jack.
- Park Your Spreader On Level Ground And Place Blocks Ahead Of And Behind The Wheels Before Unhooking From Tractor To Avoid Unexpected Rolling When Separated From The Tractor.
- Do Not Allow Riders on Spreader.

FAILURE TO HEED MAY RESULT IN SERIOUS PERSONAL INJURY OR DEATH

CAUTION

THERE ARE ADDITIONAL HAZARDS ASSOCIATED WITH THE SERVICE AND MAINTENANCE OF YOUR SPREADER.

FOR YOUR SAFETY:

- Inspect When First Delivered And Regularly Thereafter; That All Connections And Bolts Are Tight And Secure Before Operating.
- Retighten All Wheel Bolts After The First Hour Of Towing. Check Periodically Thereafter. See Maintenance, Wheels.
- Maintain Proper Tire Air Pressure At All Times. See Maintenance, Tires.
- Always Wear Eye Protection When Operating Or Servicing Spreader.
- Be Sure All Movement Has Stopped, The PTO Is Disconnected, The Tractor Is Shut Off And The Ignition Key Is Removed Before Servicing The Spreader Or Components.
- Escaping Hydraulic Fluid Under Pressure Can Penetrate The Skin And Cause Serious Injury. Relieve All Pressure From The Hydraulic System Before Connecting Or Disconnecting The Lines Or Making Repairs. Check All Hoses And Fittings Before Start-up And Periodically During Operation.
- Never Make Any Alterations Or Modifications To This Equipment.

FAILURE TO HEED MAY RESULT IN SERIOUS PERSONAL INJURY OR DEATH

MANDATORY SAFETY SHUTDOWN PROCEDURE

BEFORE unclogging, cleaning, adjusting, lubricating or servicing the unit:

1. Disengage the tractor PTO.
2. Shut off the tractor engine, remove the ignition key and take it with you.
3. Wait for all movement to stop.
4. Remove the Telescoping PTO Drive and ALL power connections from the tractor.

ONLY when you have taken these precautions can you be sure it is safe to proceed. Failure to follow the above procedure could lead to death or serious bodily injury.

Most farm accidents, like industrial, home and high-way accidents, are caused by the failure of some individuals to observe simple and fundamental safety rules or precautions. For this reason farm accidents, just as other types of accidents, can be prevented by recognizing the causes of accidents and doing something about them before an accident occurs.

Regardless of the care used in the design and construction of farm equipment, there are many points that cannot be completely safe-guarded without interfering with accessibility and efficient operation.

A careful operator is the best insurance against an accident.

The complete observance of one simple rule would prevent many thousand serious injuries each year. That rule is "NEVER ATTEMPT TO CLEAN, OIL, OR ADJUST A MACHINE WHILE IN MOTION".

NATIONAL SAFETY COUNCIL

BEFORE ATTEMPTING TO OPERATE YOUR NEW SPREADER BE SURE TO READ THIS OWNERS MANUAL AND FAMILIARIZE YOURSELF WITH THE MACHINE!! OBSERVE THE PRECAUTIONS IN THIS MANUAL FOR SAFE OPERATION OF THIS MACHINE!!

PRE-OPERATION

GENERAL

Read the entire Owner's Manual before attempting to operate this manure spreader. Before attempting any maintenance or repairs; always be sure all rotating parts have stopped and that the tractor is shut off, disconnect the PTO, relieve all hydraulic pressure and disconnect hydraulic hoses.

WARNING

NEVER OPERATE SPREADER WITH ANY GUARDS OR SHIELDS REMOVED. FAILURE TO HEED MAY RESULT IN SERIOUS PERSONAL INJURY OR DEATH.

1. Completely lubricate the unit as described in the LUBRICATION Section.
2. Check and tighten the wheel lug nuts if required.
3. Check and maintain the tire pressure according to the manufacturer's recommendation.
4. Check the entire unit for loose bolts, damaged or loose hydraulic fittings and hoses or other damaged parts.
5. The tractor half of the PTO drive shaft assembly must be locked securely to the tractor output shaft.

TRACTOR HITCH AND PTO REQUIREMENTS

The spreader is designed to be operated by a 1000 RPM PTO tractor output.

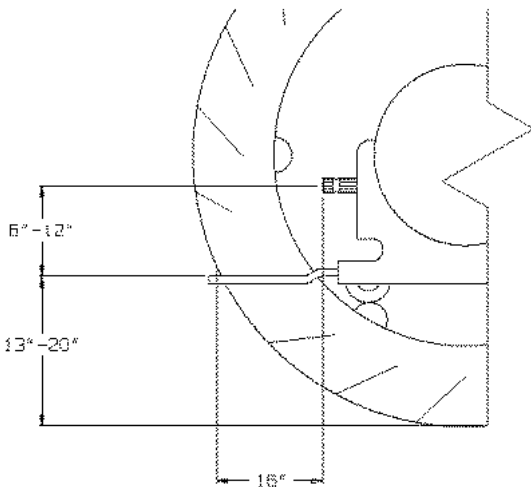


FIGURE 1. TRACTOR DRAWBAR & PTO SPECIFICATION

The PTO drive shaft assembly is designed to operate with tractors conforming to the industry standard shown on figure 1 for 1000 RPM PTO output.

A.D.M.A. Recommendations:

A tractor drawbar equipped with a clevis hitch (hammer-strap) can cause interference with the

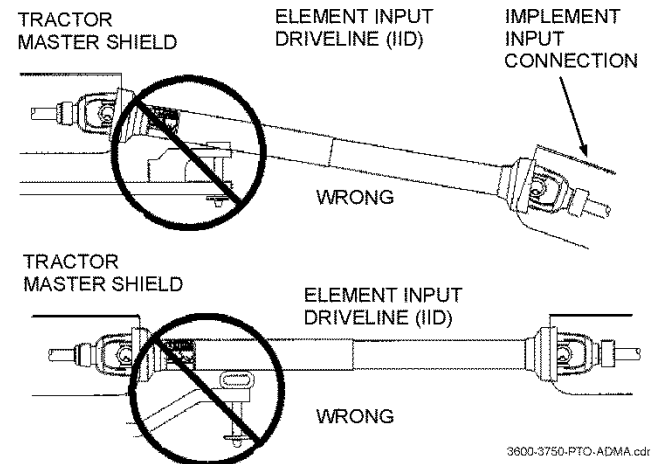


FIGURE 2

PTO driveline IID (implement input driveline). This interference can cause serious damage to the IID or the IID telescoping members. The clevis hitch on the tractor must be removed.

If the implement (fig 2, top view) is attached to a tractor with a clevis hitch (hammer-strap) style drawbar, the hammer-strap must be removed to prevent damage to the IID guarding or the IID telescoping members.

If the implement (fig 2, lower view) is attached to a tractor with an offset in the drawbar, be certain it is in the down position to prevent damage to the IID guarding or the IID telescoping members.

TRACTOR SIZE REQUIREMENTS

The spreader does not have brakes. Towing the spreader must be done safely. The ASAE (American Society of Agricultural Engineers) specifies that the towing vehicle should weigh at least 2/3 as much as the loaded implement to be reasonably safe towing at speeds up to 20 mph. This (20 mph) is also the maximum recommended towing speed for the spreader.

The loaded weight of your spreader will naturally vary with the moisture of the manure and you must consider that for your conditions. The loaded weight capacities as specified by the spreader manufacturer are as follows:

Tractor Towing Size Requirements

Use the following chart for calculating the minimum tractor weight.

MODEL (struck level)	SPREADER EMPTY WEIGHT + LOAD = GW	MINIMUM TRACTOR WEIGHT UP TO 20 MPH
3750 (483 ft3)	11220 + _____ = _____	2/3 of spreader gross weight
3600 (393 ft3)	10640 + _____ = _____	2/3 of spreader gross weight

Material Estimated Weight Per Cubic Foot

Material	lbs / Cu. Ft.
Lime Sludge	110-115 LBS.
Dry Feedlot Manure	63-65 LBS.
Chicken Litter	63-65 LBS.
Cake Sludge	62-65 LBS.
Semi-Solid Manure	58-60 LBS.
Pen Packed Manure	30-35 LBS.
Liquid Manure	63-65 LBS.

SOURCE: ASAE

NOTE: HEAPED LOADS HAVE SIGNIFICANTLY HIGHER CAPACITIES RESULTING IN INCREASED WEIGHT AND HIGHER CENTER OF GRAVITY, REQUIRING EXTRA PRECAUTION DURING OPERATION.

HYDRAULIC SYSTEM

General

There are two hydraulic circuits on the spreader.

1. One circuit powers the hydraulic end gate.
2. The second circuit powers the hydraulic apron drive. A check valve is installed in this circuit to prevent operating the apron in reverse.

Therefore, the tractor requires two sets of remote ports, one set for the hydraulic apron drive and one set for the hydraulic end gate.

Three types of hydraulic operating systems are available for the apron drive on the spreader.

1. The standard operating system has an adjustable flow control valve on the spreader which is manually controlled by twisting a “control hose” which is connected to the flow control valve on the spreader and the opposite end of the hose is fitted with a handle for the operator to operate from the tractor seat. See figure 3.

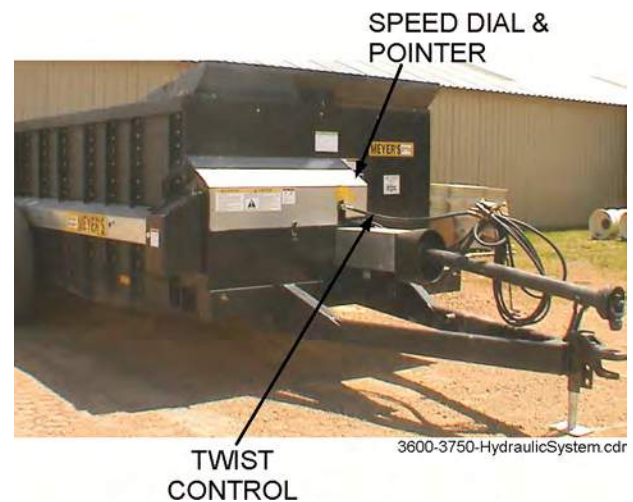
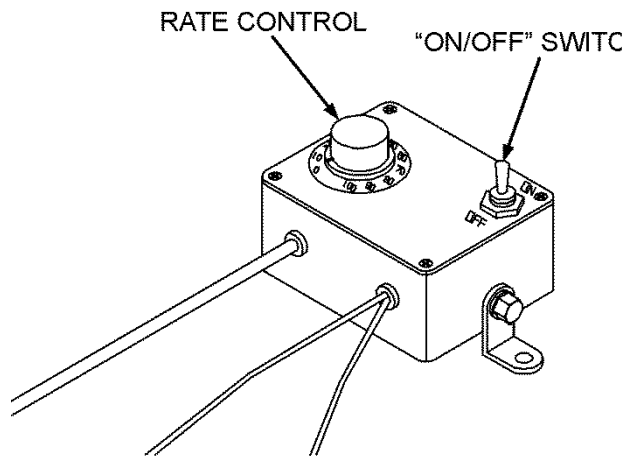


FIGURE 3. STANDARD APRON CHAIN FLOW CONTROL

2. An optional electric control is available to replace the “control hose” described above. This system has a motorized flow control valve on the spreader and an electric control box placed on the tractor is used to control this valve. See figure 4.

3. A third available system utilizes tractor lever flow control. This system requires that the tractor have an adjustable flow control lever (rabbit/turtle) op-



3600-3750-OptionalElectricFlowValve.

FIGURE 4. OPTIONAL ELECTRIC FLOW VALVE CONTROLLER

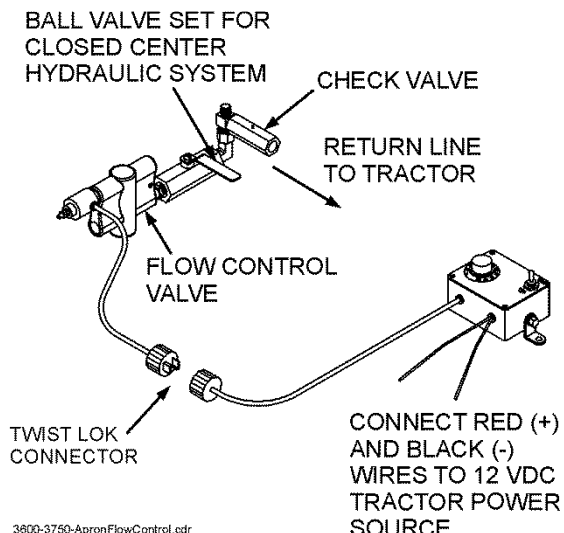
erated valve. There is no adjustable flow control valve on the spreader when this option is purchased for the spreader.

Set Up for Open Or Closed Center Hydraulic Operation

1. Most late model tractors use a closed center hydraulic system which only pumps oil as required. Some other tractors may have an open center system which pumps oil continuously, in which case provision must be made to allow excess flow back to the tractor reservoir. If you are not sure of your system, contact your tractor dealer.
2. Spreaders with standard or electric control are shipped from the factory, set up for open center tractors. To convert for a closed center, close the ball valve by rotating the handle perpendicular to the valve as illustrated on figure 5.
3. Spreaders with tractor lever operated flow control (no flow control valve or ball valve on spreader) are shipped from the factory, set up for closed center. If you require an Open Center, then a field conversion must be made as illustrated on figure 6.

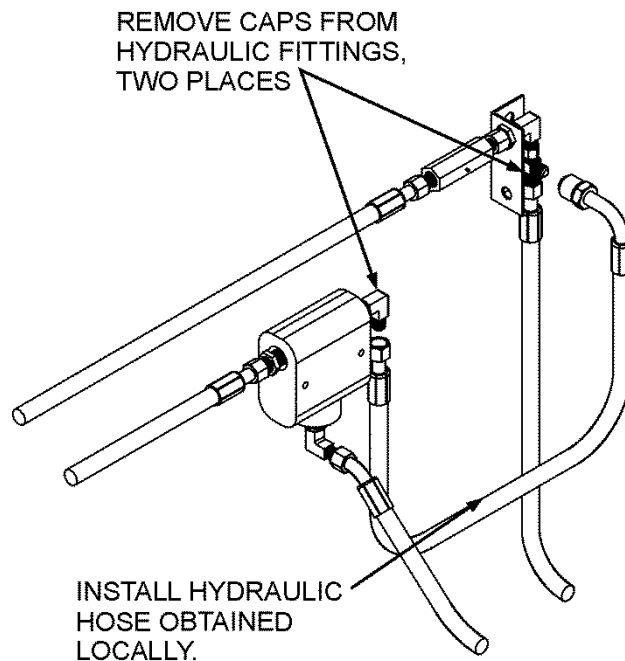
NOTICE! For tractors with closed center system and load sensing that has a priority flow circuit that is manually adjustable, the ball Valve must be open. This is not a tractor lever operated system.

Electric Control Installation



3600-3750-ApronFlowControl.cdr

FIGURE 5. APRON FLOW CONTROL (OPTIONAL ELECTRIC ILLUSTRATED)



3600-3750-FieldConversion.cdr

FIGURE 6. CONVERTING TRACTOR LEVEL OPERATED FLOW CONTROL TO OPEN CENTER

1. Locate the controller on the tractor where it is accessible to operate.
2. Connect the electrical leads to the tractor 12VDC power source, figure

- When hooking up the spreader, connect the controller to the motorized flow control valve at the twist lok connector.

TRANSPORTING

General

Check for traffic constantly. Be sure you can see that no one is attempting to pass you and that all traffic is sufficiently clear from you before making any turns.

WARNING

BE SURE THE SLOW MOVING VEHICLE SIGN IS INSTALLED ON THE REAR OF THE SPREADER FOR TRANSPORTING ON ROADWAYS. KEEP THIS SIGN AND ALL REFLECTIVE DECALS CLEAN. FAILURE TO HEED MAY RESULT IN SERIOUS PERSONAL INJURY OR DEATH.

CAUTION:

REGULARLY CLEAN OFF THE REFLECTIVE TAPE AT THE REAR AND SIDES OF THE SPREADER WHEN TRANSPORTING IT ON THE HIGHWAY.

WARNING

DO NOT TOW AT SPEEDS GREATER THAN 20 MPH. FAILURE TO HEED MAY RESULT IN SERIOUS PERSONAL INJURY OR DEATH.

Operating speed is dictated by the terrain over which you are traveling. Always use caution. Avoid traveling on slopes or hills that are unsafe. Also beware of slippery conditions such as traveling over areas previously spread with manure. If possible, avoid spreading over areas where manure has been previously applied.

If you will travel on public roadways and it is legal to do so, you must know all rules governing such operation. This will include lighting and brake requirements in addition to traffic rules. You may also be required to install a safety chain on the spreader.

Use Safety Chain

CAUTION:

A SAFETY CHAIN SHOULD BE INSTALLED TO RETAIN THE CONNECTION BETWEEN TRACTOR (OR OTHER TOWING VEHICLE) AND SPREADER WHENEVER TRAVELING ON PUBLIC ROADS. A

SUGGESTED ATTACHMENT IS ILLUSTRATED ON FIGURE 7 .

The chain must be strong enough to hold the weight of the loaded spreader. If using a grab hook at the end(s) of the chain to secure the chain to itself, a hook latch must be installed.

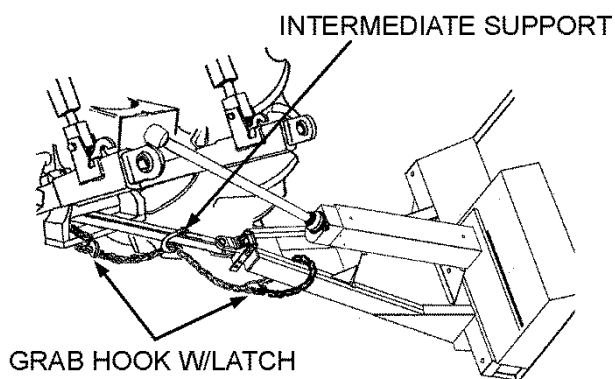
The length of the safety chain is not to be any longer than necessary to turn without interference. If any chain links or attachment hardware are broken or stretched, repair before using. Store chain so it does not corrode or become damaged. Do not use this chain for other implements because the strength and length of chain may not be adequate. Identify this chain for use on this particular spreader.

Safety chain designed for this spreader can be ordered on page 20.

Use Lights

Optional lights are offered for your spreader. Lights are recommended for any spreader operated on public roads and may be a requirement.

If equipped with lights, plug the electric plug into the tractor trailer electrical receptacle.



3600-3750-SafetyChain.cdr

FIGURE 7. SUGGESTED SAFETY CHAIN INSTALLATION

OPERATION

DANGER

NEVER ENTER THE SPREADER BOX FOR ANY REASON WITHOUT FIRST DISCONNECTING PTO SHAFT FROM TRACTOR. DO NOT ALLOW OTHERS IN THE BOX. ROTATING BEATER CAN DISMEMBER OR KILL.

TRACTOR HOOKUP

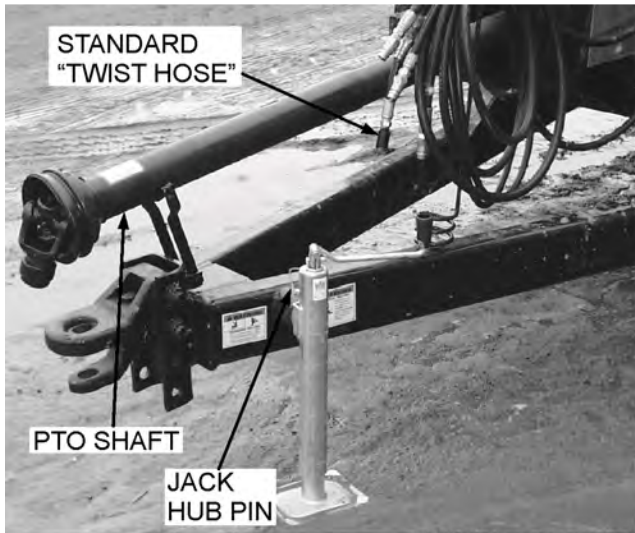


FIGURE 8. SPREADER HOOK UP

CAUTION

DO NOT USE JACK EXCEPT WHEN SPREADER IS EMPTY. JACK WILL NOT SUPPORT ADDED WEIGHT FROM LOAD. UNBALANCED WEIGHT MAY RESULT IN UNEXPECTED "TIP UP" OF THE SPREADER.

1. Hook the spreader hitch to the tractor drawbar with 1 3/8" secured hitch pin.
2. Raise the jack off the ground. Remove the jack hub pin and rotate the jack to horizontal storage position and secure with the pin, figure 8.
3. Connect the PTO drive shaft to the tractor PTO output shaft and be sure it is locked to the tractor shaft.
4. Connect the two hydraulic hoses for the apron drive to a set of remote ports on the tractor. These are the two hoses coming from the hydraulic flow control valve and apron drive hydraulic motor.

NOTE: The return line on the spreader has a check valve in it so that the apron cannot be operated in the wrong direction. This line must be connected to the tractor return port. If the hoses are reversed, the

apron will not operate and the hoses should be switched.

5. Connect the two hydraulic hoses for the end gate to a second pair of tractor remote ports.
6. If you have a standard hydraulic system equipped spreader, locate the manual apron flow control "twist" hose on the tractor where it can be operated from the tractor seat.
7. If you have an optional electric control system, plug the twist lok connectors together. See figure 5 for mounting instructions.
8. If you have an optional tractor lever operated system there are no control hook ups required.

LOADING

1. Check that the end gate is closed, figure . When the spreader is parked for loading, shift the tractor to neutral or park and set the brakes. The moisture content of the manure will determine how full the spreader can be loaded so that no manure spills out.



FIGURE 9. HYDRAULIC END GATE, VIEW FROM REAR

2. You will probably be able to load solid manure at least level with the top of the box while semi liquid and liquid slurries will have to be less than full in the spreader box.

NOTICE! It is unlawful to allow slurry to splash or leak onto public roads.

UNLOADING



DANGER

KEEP AWAY AND KEEP OTHERS CLEAR OF ROTATING BEATERS AT REAR OF SPREADER. SERIOUS INJURY OR AMPUTATION COULD RESULT.



WARNING

MAKE CERTAIN EVERYONE IS CLEAR OF EQUIPMENT BEFORE APPLYING POWER. FAILURE TO HEED MAY RESULT IN SERIOUS PERSONAL INJURY OR DEATH.

The rear beaters have been designed and tested to provide the best spread pattern for most liquids and semi solid manure. However, the pattern will vary for each specific condition. The factors that contribute most to differing patterns will be moisture content and the amount and length of bedding material. For most typical conditions, the spread pattern should be uniform and about 30 feet wide or more for cattle manure and about 20 feet wide for poultry manure. Plan your spreading patterns so you do not have to travel over previously spread manure which will be slippery, resulting in poor traction. Traction on wet grass is also poor. When the resulting pattern may require that you overlap during spreading, use precautions on slopes and hills where you will experience a loss of traction by traveling over ground with previously spread manure.



CAUTION

DO NOT OPERATE APRON CHAIN WITHOUT RAISING END GATE FIRST. FAILURE TO HEED MAY RESULT IN EQUIPMENT DAMAGE.

1. When you are ready to begin spreading application on the field, open the hydraulic end gate, figure 9, and slowly engage the tractor PTO clutch. This can be done while traveling forward to avoid a heavier application at the edge of the field than desired. The end gate must be completely open.
2. Once the end gate has been fully opened and the PTO is up to speed, engage the apron drive (apron chain).
3. For solid manure, start the apron at a slow rate of speed.
4. Start the apron drive with the tractor hydraulic spool valve lever.
5. For standard flow control systems, use the “twist” hose to regulate the apron speed, figure 8.

6. For optional electric control systems, turn the electric controller to “ON”. Turn the knob CW to increase or CCW to decrease application rate. Return switch to “OFF” when spreading is completed, figure 4.
7. For tractor lever flow control systems, regulate the apron speed with the tractor hydraulic system adjustable flow control, i.e., hydraulic rabbit/turtle speed control lever.
8. Start application onto the field. Increase the speed of apron chain for a heavier application.

NOTICE! DO NOT FEED FROZEN MANURE AT A RATE TOO FAST. THE APRON DRIVE CAN FEED FASTER THAN THE BEATERS CAN EXPEL THE MATERIAL. WHEN FROZEN CHUNKS ARE PRESENT, TURN THE SPOOL VALVE DOWN TO 3-4 (TYPICAL) ON THE DIAL, TO ALLOW THE BEATERS TIME TO GRIND THE CHUNKS INTO SMALL PIECES.

9. Further control of the application rate is possible by the relationship of tractor engine speed to ground speed (transmission gear selection). For optimum trouble free performance it is recommended to operate at or near engine PTO speed.
10. When the spreader is empty, stop the PTO and then stop the apron chain so there is no chain slat under the hydraulic end gate, figure 9. Then close the end gate.

MANDATORY SAFETY SHUTDOWN PROCEDURE

BEFORE unclogging, cleaning, adjusting, lubricating or servicing the unit:

1. Disengage the tractor PTO.
2. Shut off the tractor engine, remove the ignition key and take it with you.
3. Wait for all movement to stop.
4. Remove the Telescoping PTO Drive and ALL power connections from the tractor.

ONLY when you have taken these precautions can you be sure it is safe to proceed. Failure to follow the above procedure could lead to death or serious bodily injury.

MAINTENANCE, ADJUSTMENTS & LUBRICATION

WARNING

DISCONNECT PTO DRIVE SHAFT AND HYDRAULIC HOSES BEFORE CLEANING, ADJUSTING OR SERVICING THIS MACHINE. FAILURE TO HEED MAY RESULT IN SERIOUS PERSONAL INJURY OR DEATH.

WHEELS: Check periodically. The 3600 wheel studs should be torqued to 170 foot pounds, in a crisscross manner. The 3750 wheel studs should be torqued to 297 foot pounds.

3600 & 3750 TIRE PRESSURE:
22.5x13.0, recommended pressure 45-90 psi max.

WARNING

NEVER INFLATE BEYOND RIM OR TIRE MANUFACTURER'S APPROVED PSI RATING. WHILE INFLATING, STAY OUT OF THE TRAJECTORY & STAND CLEAR OF TIRE/WHEEL ASSEMBLY. A TIRE BLOW OUT OR RIM/WHEEL FAILURE CAN CAUSE SERIOUS INJURY OR DEATH.

AUTOMATIC OVER RUNNING CLUTCH

(See figure 15)

1. If the PTO drive becomes over loaded, the clutch will disengage, causing an audible clattering noise.
2. If the clutch disengages, stop the apron drive and disengage the PTO and allow it to coast down. The clutch will re-engage at slow speed if the over load has subsided.
3. At slow speed, re-engage the PTO and allow the beaters to run freely. Restart the apron and resume operation.
4. If the clutch will not re-engage, then the beaters are still over loaded or plugged. It will be necessary to manually unplug the beaters to remove the clog. A foreign object such as a rock may be found to be the cause of over load.
5. When the clog has been cleared, restart the tractor and at idle speed, engage the PTO until the beaters run freely. Then engage the apron drive and resume operation.

Mandatory Safety Shutdown Procedure


BEFORE unclogging, cleaning, adjusting, lubricating or servicing the unit:

1. Disengage the tractor PTO.
2. Shut off the tractor engine, remove the ignition key and take it with you.
3. Wait for all movement to stop.
4. Remove the Telescoping PTO Drive and ALL power connections from the tractor.


ONLY when you have taken these precautions can you be sure it is safe to proceed. Failure to follow the above procedure could lead to death or serious bodily injury.

ADJUSTMENTS


Apron Chain

 The apron chain is adjusted by (4) adjuster screws located on the front of the box frame, figures and . Adjust the screws so there is no chain sag on the return side and chain is never closer than 5" to the spreader axle. When there is no more adjustment left on the adjuster screws, loosen the nuts on the screws and push the screws in as far as they will go. Then remove a link from each chain and readjust the apron chain.

Roller Chain Adjustment

 All roller chain drives are automatically tensioned with spring loaded tensioners that are adjustable with a threaded eye bolt. Figures 12 and 13. When slack appears tighten the eye bolt so the load on the roller is approximately 25-30#, this can be checked with a fish scale or other means. When no more adjustment is available, the chain should have enough slack in it to remove one full link.

Tensioning V-Belt Drive

 General rules of tensioning. Figure 11.

1. Ideal tension is the lowest tension at which the belt will not slip under peak load conditions.
2. Check tension frequently during the first 24-48 hours of operation.
3. Over tensioning shortens belt and bearing life.

4. Keep belts free from foreign material which may cause slip.
5. Make V-drive inspection on a periodic basis. Tension when slipping - 1 to 2 turns on eyebolt nut at a time until slipping is not noticed. Never apply belt dressing as this will damage the belt and cause early failure.

LUBRICATION

- (L1) Maintain oil level in apron and beater drive gear reducers at the check level plug. Figure 12.
- (L2) Maintain oil level in apron drive reducer at check level plug, accessible at left, rear side. When required, refill with SAE 85-140 Moly Fortified gear lube or Synthetic SAE 75-90 gear lube. Figure 12.
- (L3) Grease four bearings on the side drive shaft and bearing at front end of shaft one pump every 8 hours. Figures 10 and 11.

(L4) There is a bearing at each end and middle of the shaft connecting the PTO shaft with the front belt drive, see figure . Grease these bearings one pump every 8 hours.

(L5) Grease the bearings at both ends of the upper beater and the lower beater (there are two bearings on the drive end of the lower beater, 5 places total) one pump every 8 hours. Figures 12 and 13.

(L6) Grease the apron drive shafts, both sides of the spreader via the grease lines, 5 pumps every 8 hours. Figure 12.

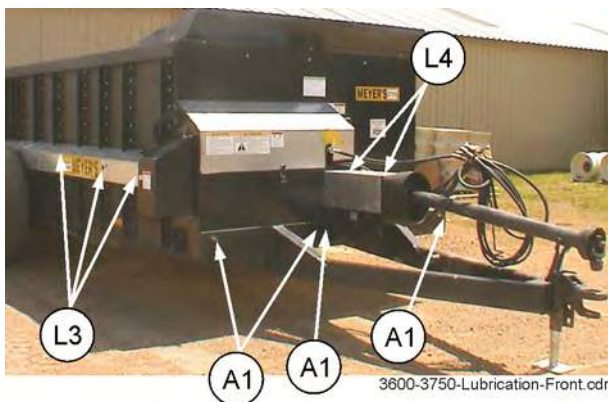


FIGURE 10

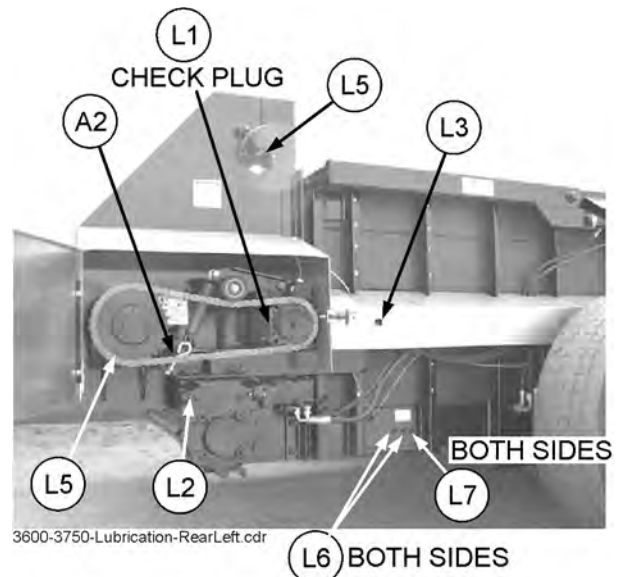


FIGURE 11

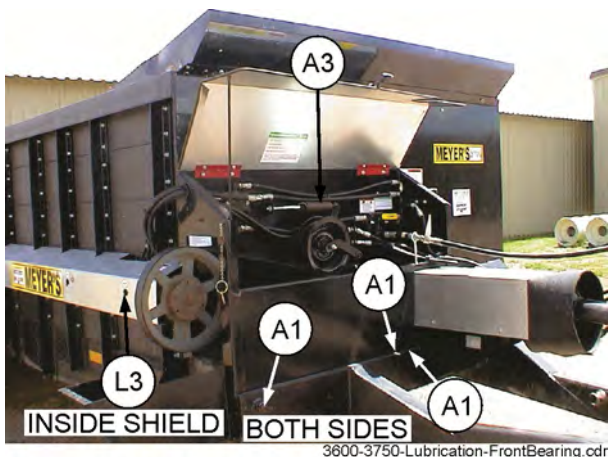


FIGURE 12

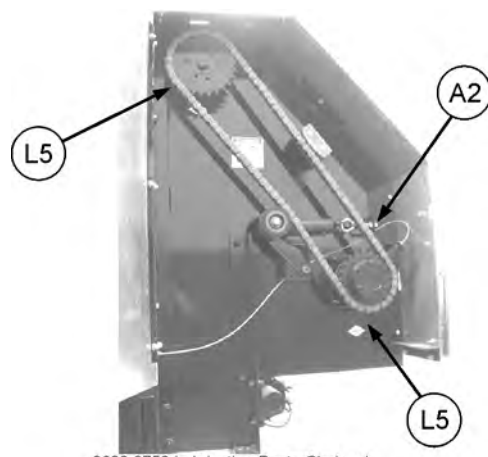
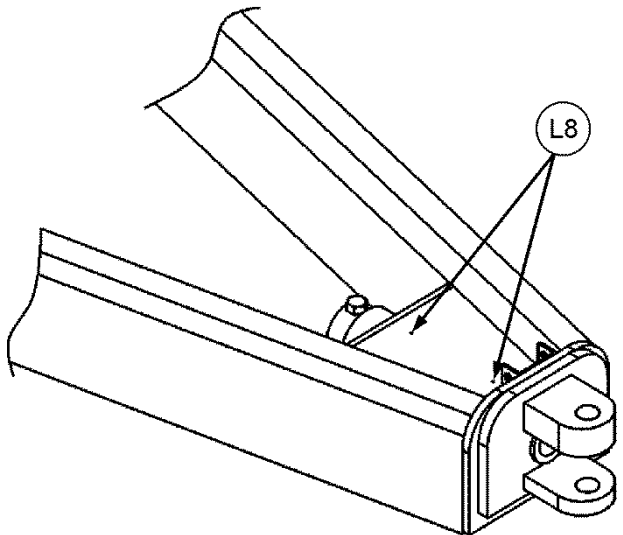


FIGURE 13



3600-3750-PivotHitchGreasePoint.cdr

FIGURE 14

- (L7) Grease the axle at both sides of the spreader via the grease lines, 10 pumps every 8 hours. Figure 12.
- (L8) Grease Pivot Hitch 2 pumps every 8 hours, each grease zerk. Figure 14.
- (L9) Grease cross bearings on yoke (both ends of PTO shaft) 1 pump every 8 hrs. Grease telescoping shaft through slot in center of guard, 4-5 pumps every 8 hrs. Figure 15.
- (L10) Special attention should be paid to lubricating the constant velocity PTO drive shaft assembly. See illustration above. Figure .
- (L11) Grease the over running clutch 3-4 pumps every 8 hours. Figure 15.

NOTE: RE-LUBRICATE AT REGULAR INTERVALS TO PREVENT DAMAGE TO THE BEARING. RE-LUBRICATION INTERVALS ARE VERY DIFFICULT TO DETERMINE, DEPENDING ON USAGE. THE HOUSINGS SHOULD BE KEPT APPROXIMATELY 1/3 TO 1/2 FULL.

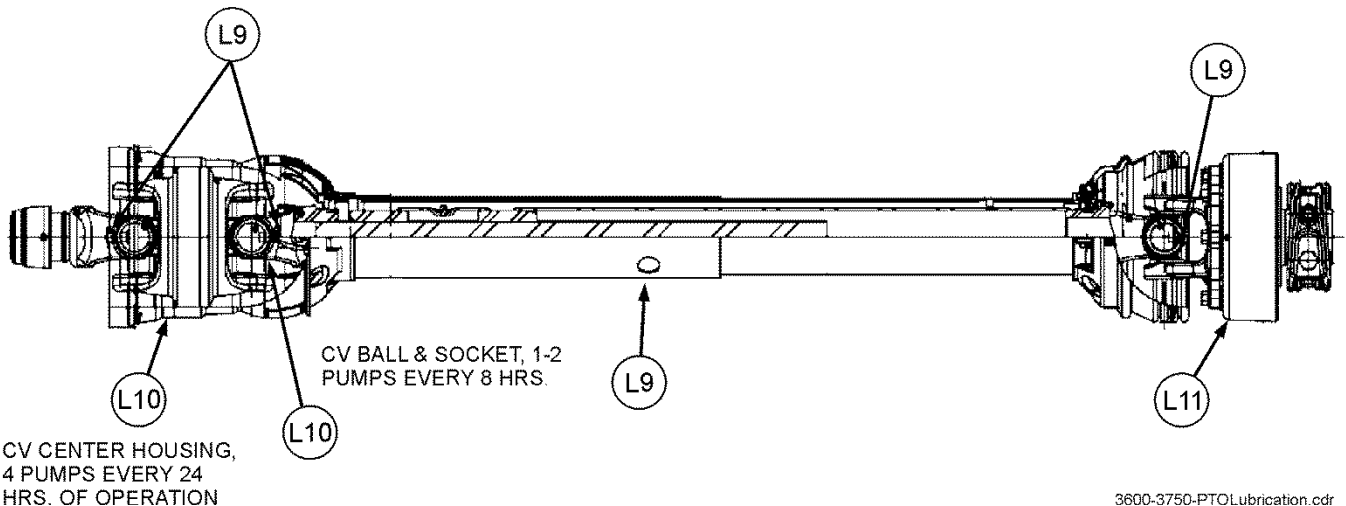


FIGURE 15. PTO LUBRICATION

3600-3750-PTOLubrication.cdr

CLEANING AND STORAGE

WARNING

DISCONNECT PTO DRIVE SHAFT AND HYDRAULIC HOSES BEFORE CLEANING, ADJUSTING OR SERVICING THIS MACHINE. FAILURE TO HEED MAY RESULT IN SERIOUS PERSONAL INJURY OR DEATH.

Before storing this spreader for an extended period of time, perform the following:

1. Allow the spreader to completely clean out the last load.
2. Thoroughly hose off all manure from the outside of the spreader and the inside of the box, particularly getting the end gate mechanism clean. The water can be drained into your manure storage pit or if the gate is left closed, the water can be taken to the field and spread.

If pressure washing spreader, be careful not to wash directly on or too close to any bearing seals. The high pressure can destroy the seal and force water into the bearing causing it to rust and fail. Avoid pressure washing painted areas of the spreader too close with the washer as the pressure can strip paint on scratched areas caused from scraping clean.

Manure is very acidic and should not be left on painted areas for a long period of time because it will lift paint from the metal. Unpainted metal will corrode causing holes to rust through metal guards or even fall off the machine. If this should happen, guards must be replaced immediately.

WARNING

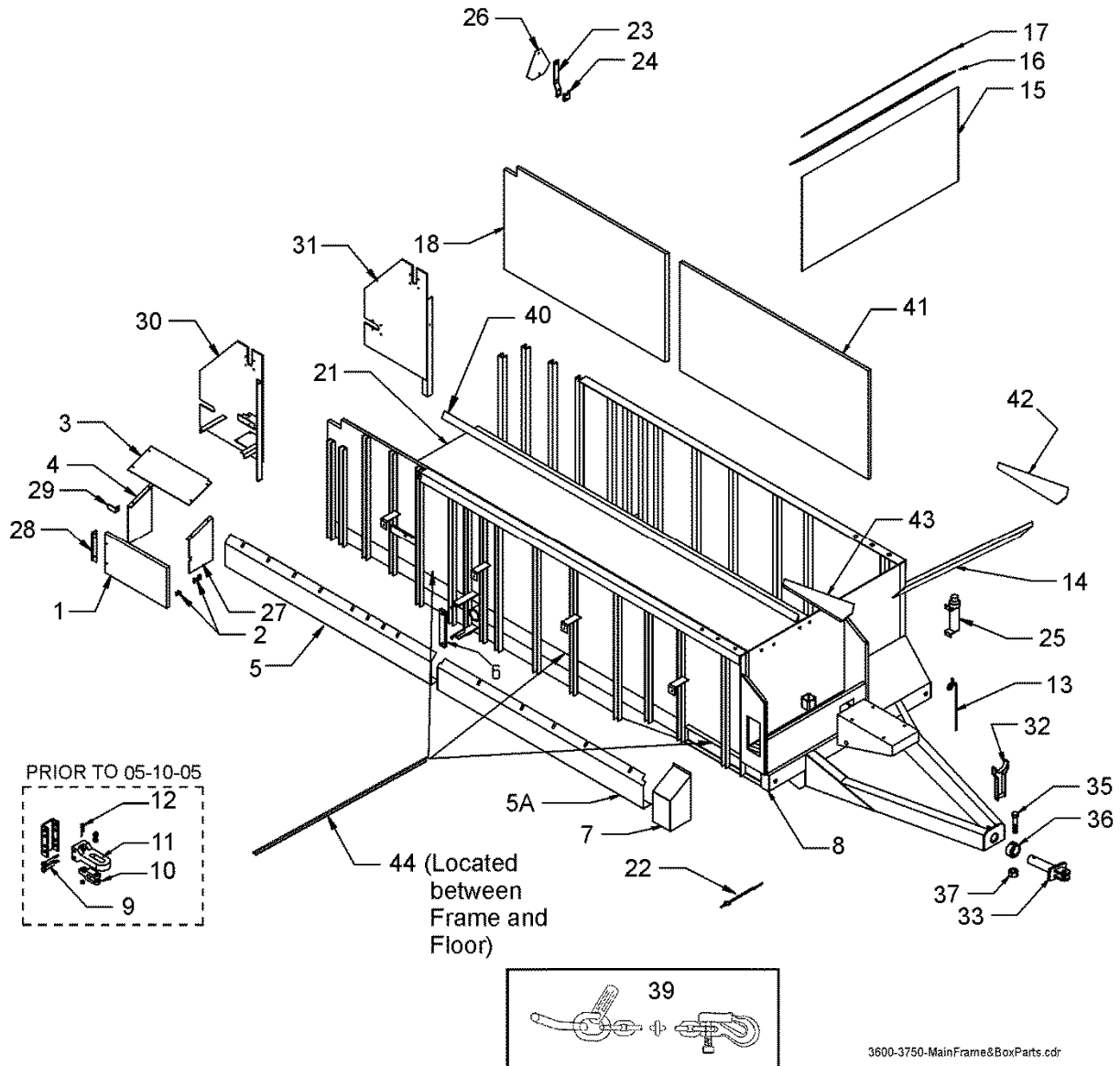
DO NOT OPERATE SPREADER WITH ANY GUARD OPEN OR MISSING. ROTATING PARTS CAN DISMEMBER OR KILL.

3. After cleaning, lube the spreader to exclude moisture from bearings and prevent condensation from forming during storage. Apply oil to roller chain drives.
4. This is a good time to inspect all adjustments and check for parts that need repair or replacement. Performing these tasks now will guarantee that the spreader is ready for use at the beginning of the next season.

REPAIR PARTS

MAIN FRAME & BOX PARTS

Models 3600/3750



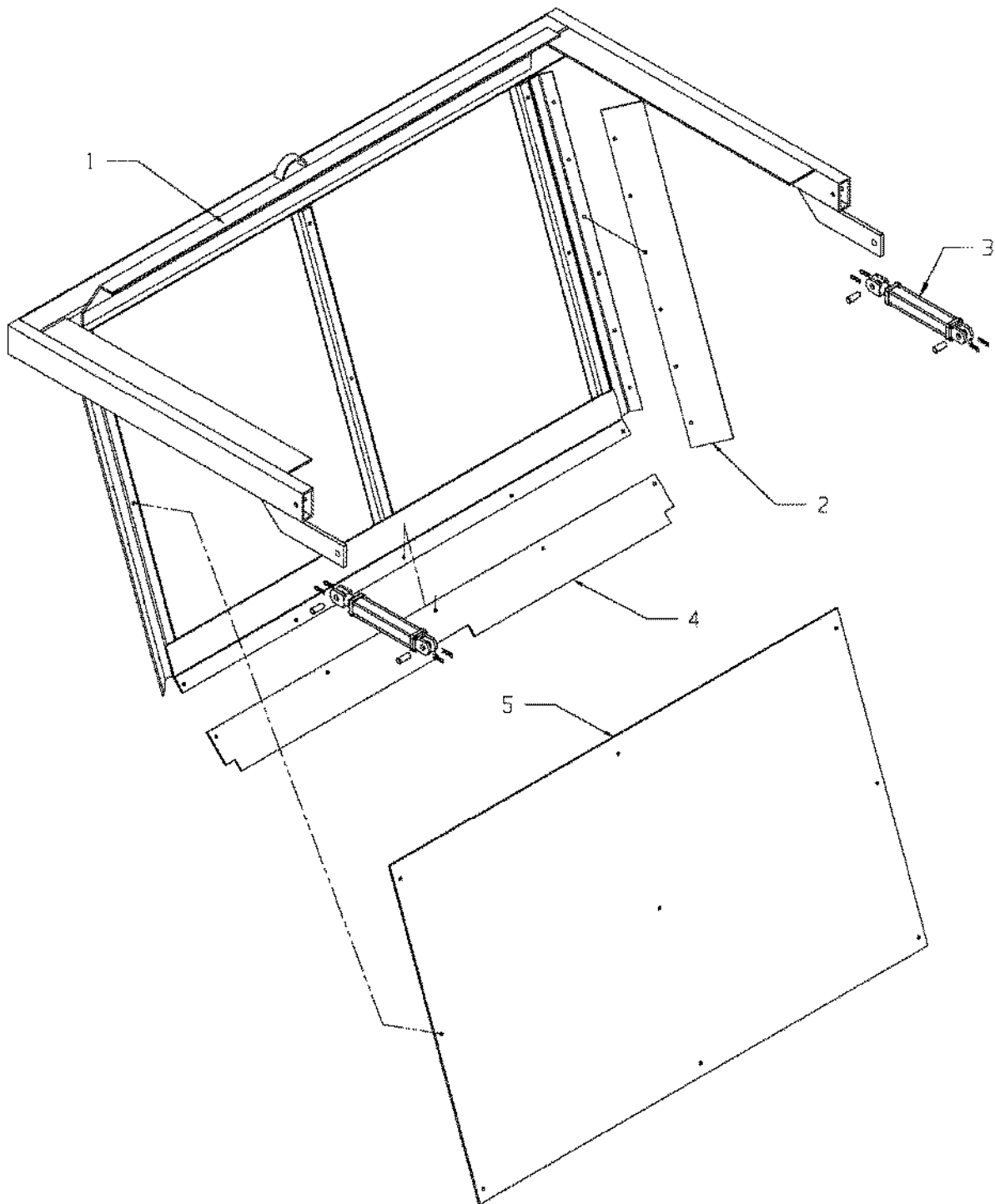
MAIN FRAME & BOX PARTS

MODELS 3600/3750

KEY	PART NO.	QTY. 3600	QTY. 3750	DESCRIPTION
1	E00017-04	1	1	Door, Main Gear Case
2	E00016	1	1	Lock Assembly
3	E21651	1	1	Top Cover, Main Gear Case Shield
4	E21652	1	1	Back Cover, Main Gear Case Shield
5	E21645-09	1	1	Side Shaft Shield (Back)
5A	E21646-09	1	1	Side Shaft Shield (Front)
6	E00007	2	2	Bar, Axle Retainer
7	E21644-04	1	1	Shield
8	E00014-04	1	1	Frame, Main
9	E20032	2	2	Bolt 1" -8 x 6-1/2" w/Nut GR8
10	E20030	1	1	Clevis PPI - 208VR
11	E20029	1	1	Hitch PPI - 331VH
12	E20031	1	1	Bolt 3/4" -10 x 6" w/Nut GR5
13	E00026	1	1	Hydraulic Hose Support
14	700041	1	1	Splash Pan
15	E20027	1	0	Front Gate Insert 1/4" x 30-1/2" x 81" Poly
	E20028	0	1	Front Gate Insert 1/4" x 39-3/4" x 81" Poly
16	E00005-09	1	1	Belt, Bottom Front Gate (79.5")
17	E00003	1	1	Bar, Bottom Front Gate
18	E00008-11-R	2	0	Left and Right Rear Side Panel 37.5" x 101"
	E00010-11-R	0	2	Left and Right Rear Side Panel 46" x 101"
21	E00019-550/700	1	1	Floor Complete, 78"x225"
22	E21647	1	1	Linch Pin w/ Lanyard
23	E21648	1	1	SMV Spade Mounting
24	E21649	1	1	SMV Socket Mounting
25	E21650	1	1	Manual Holder w/ Decal
26	PM10-11-05	1	1	SMV Sign
27	E21653	1	1	Front Cover, Main Gear Case Shield
28	E21654	1	1	Door Hinge, Main Gear Case
29	E21655	1	1	Door Stop, Main Gear Case
30	E21656-07		1	Right Beater Bracket, For 2" Dia. Shaft
	E21656	1	1	Right Beater Bracket, For 1 1/2" Dia. Shaft
31	E21657-07		1	Left Beater Bracket, For 2" Dia. Shaft
	E21657	1	1	Left Beater Bracket, For 1 1/2" Dia. Shaft
32	E21658	1	1	PTO Stand w/Rubber Strap
33	E21659-11	1	1	Inner Hitch Assembly
35	E21661	1	1	HHCS, 3/4-10 x 5, GR8
36	E21662-11	1	1	Collar
37	E21663	1	1	Nut, 3/4-10, Nylon Lock
38	3750-3-08	1	1	Gearbox Torque Arm
39		1	1	Safety Chain, Towing, 40000 lb., Optional
40	E21664	2	2	Poly Floor Chain Spacer, 211"
41	E00008-11F	2	0	Left and Right Front Side Panel 37.5" x 101"
	E00010-11F	0	2	Left and Right Front Side Panel 46" x 101"
42	700009	1	1	Side Pan, LH
43	700010	1	1	Side Pan, RH
44	3600-VB750-10	3	3	Floor Hold Down

HYDRAULIC END GATE & RELATED PARTS

Models 3600/3750



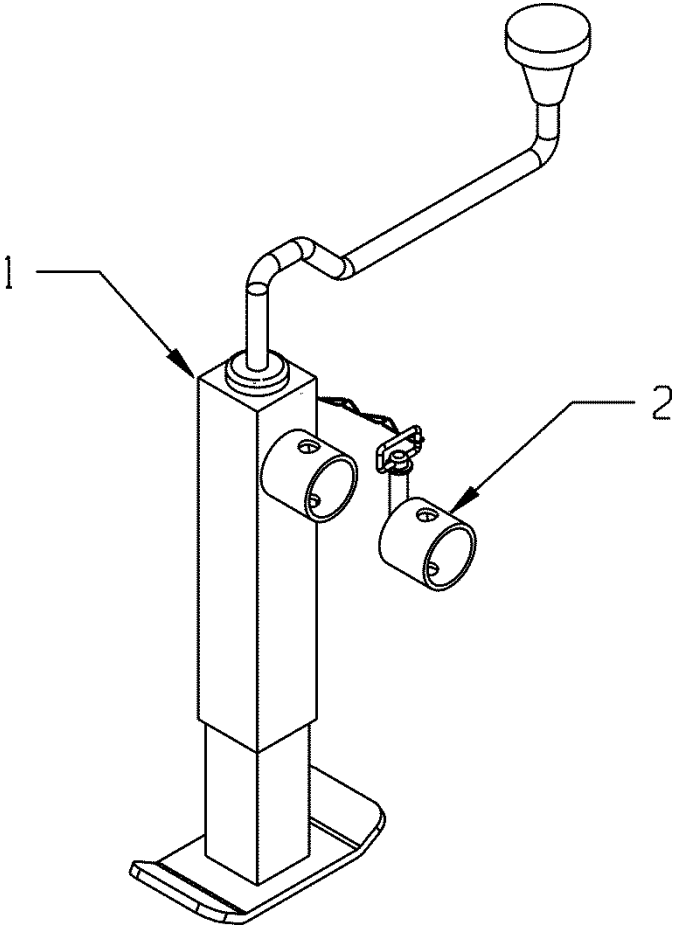
EndGateParts-3700.tif

HYDRAULIC END GATE & RELATED PARTS

Models 3600/3750

KEY	PART NO.	QTY. 3600	QTY 3750	DESCRIPTION
1	E00035-04	1	0	Gate, End Only
	E00036-04	0	1	Gate, End Only
2	E00037-09	2	2	Belt, Side End Gate
3	REF.	2	2	Cylinder, End Gate (See separate listing)
4	E00039-96-09	1	1	Belt, Bottom End Gate
5	E20128	1	1	End Gate Insert 1/2" x 29-1/2" x 71" Poly

JACK ASSEMBLY

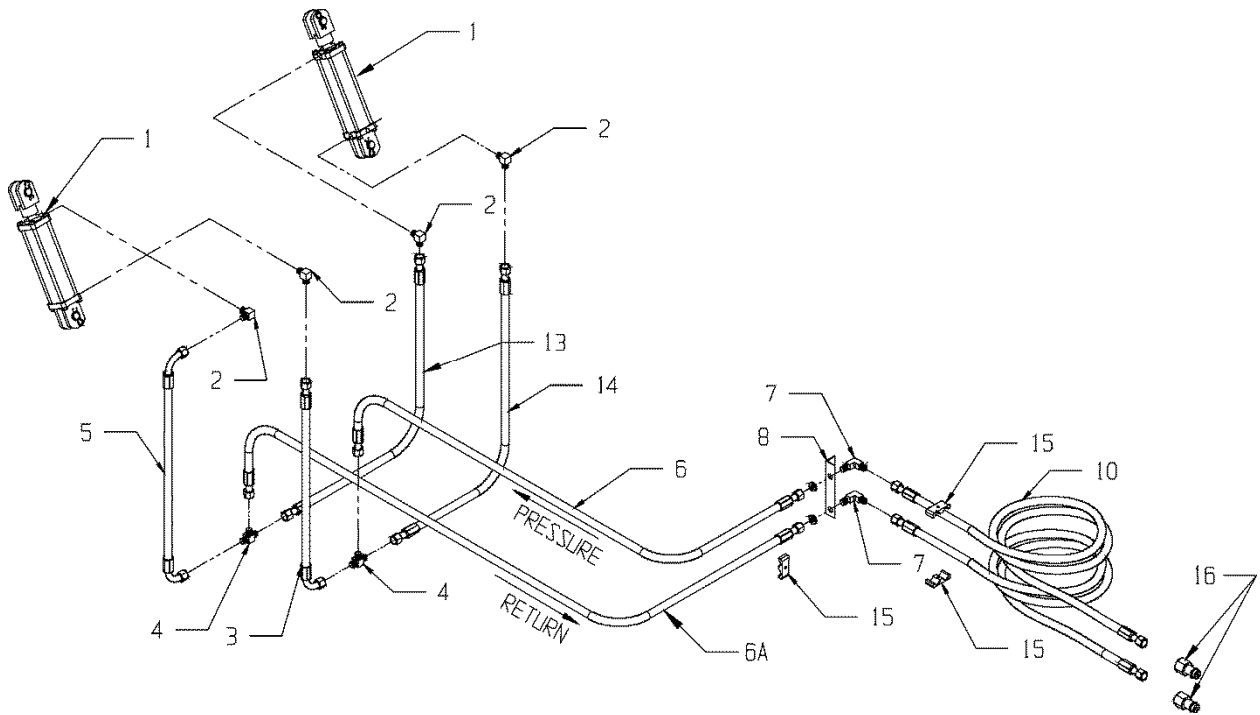


JACK ASSEMBLY

KEY	PART NO.	QTY. 3600	QTY 3750	DESCRIPTION
1	E00053-11	1	1	Jack Assembly
2	E00057-11	1	1	Weld on Mount
	E20228			

END GATE HYDRAULIC PIPING

Models 3600/3750 11/07



HydEndGateParts-3465.tif

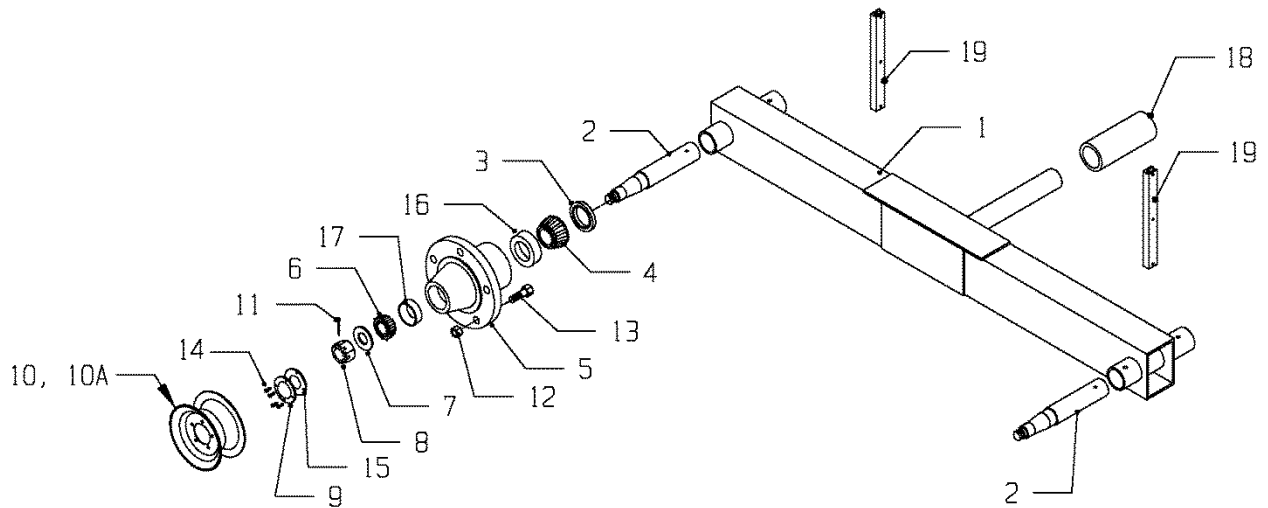
END GATE HYDRAULIC PIPING

Models 3600/3750

KEY	PART NO.	QTY. 3600	QTY 3750	DESCRIPTION
1	E00090-07	2	2	Cylinder, End Gate Hydraulic - 3" x 10"
	E00109	1	1	Cylinder Seal Kit 639572
	E00110	1	1	Wiper Seal 1125-6
2	E00067-04	4	4	Male JIC To Male ORB, 90° Adapter - 6801-8-8
3	E00068-04	1	1	Hose, Hydraulic, 6M3K-6G-8FJX90S-6G-8FJX-53"
4	E00069-00	2	2	Bulk Head Run Tee 2704-LN-8
5	E00070-04	1	1	Hose, Hydraulic, 6M3K-6G-8FJX90S-6G-8FJX-44"
6	E00071-04	1	1	Hose, Hydraulic, 6M3K-6G-8FJX-6G-8FJX-229"
6A	E00071-04	1	1	Hose, Hydraulic, 6M3K-6G-8FJX-6G-8FJX-229"
7	E00073	2	2	Adapter 45° JIC Bulkhead, 2702-LN-8
8	E00074	1	1	Bracket
10	E00080-04	2	2	Hose, Hydraulic, 6M3K-6G-8FJX-6G-8MP-132"
13	E00075-04	1	1	Hose, Hydraulic 6M3K-6G-6FJX-6G-8FJX-127"
14	E00077-04	1	1	Hose, Hydraulic 6M3K-6G-6FJX-6G-8FJX-138"
15	E00079	7	7	3/8" Hose Bracket
16	E01591	2	2	Quick Coupler, 8010-4P
	E20328			

AXLES, WHEELS, SPINDLES AND RELATED PARTS

Models 3600/3750



TandemParts-3465.tif

AXLES, WHEELS, SPINDLES AND RELATED PARTS

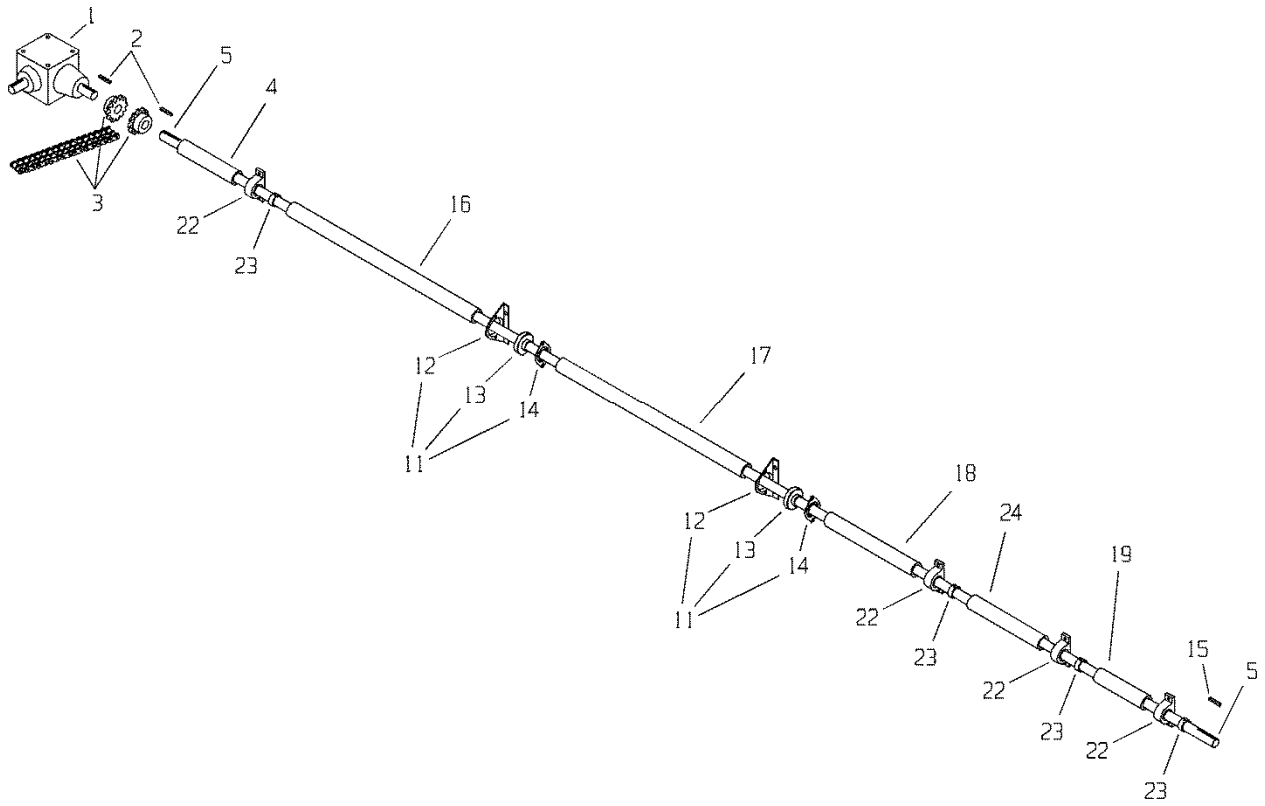
Models 3600/3750 11/07

Model 3600 Only			
KEY	PART NO.	QTY	DESCRIPTION
1	E00170	2	Arm Assembly
2	E00171	4	Spindle 3-1/8" x 20-1/2"
3	E00172	4	Seal, Hub, CR30087
4	E00173	4	Bearing, Inside Wheel, 39585
5	E00176	4	Hub
6	E00177	4	Bearing, Outside Wheel, 460
7	E00178	4	Washer
8	E00179	4	Nut, Spindle
9	E00180	4	Cap, Hub Dust
10A	E00181	4	Wheel
11	E00182	4	Pin, Cotter
12	E00183	40	Nut, Wheel Stud
13	E00184	40	Stud, Wheel
14	E00185	16	Hub Cap Bolts
15	E00186	4	Gaskets
16	E00174	4	Cup, Inside, 39520
17	E00175	4	Cup, Outside, 453A
18	E00AX700	2	Bushing
19	E00WS15	4	Guide, Poly

Model 3750 Only			
KEY	PART NO.	QTY	DESCRIPTION
1	E00170-VB	2	Arm Assembly
2	E00171-VB	4	Spindle 3-3/8" x 20-1/2"
3	E00172-VB	4	Seal, Hub,33772
4	E00173-VB	4	Bearing, Inside Wheel, 33275
5	E00176-VB	4	Hub, 873
6	E00177	4	Bearing, Outside Wheel, 460
7	E00178	4	Washer
8	E00179	4	Nut, Spindle
9	E00180	4	Cap, Hub Dust
10	E00181-VB	4	Wheel
11	E00182	4	Pin, Cotter
12	E00183	40	Nut, Wheel Stud
13	E00184	40	Stud, Wheel
14	E00185	16	Hub Cap Bolts
15	E00186	4	Gaskets
16	E00174-VB	4	Cup, Inside, 33462
17	E00175	4	Cup, Outside, 453A
18	E00AX700	2	Bushing
19	E00WS15	4	Guide, Poly
	E20529		

SIDE DRIVE TRAIN

Models 3600/3750



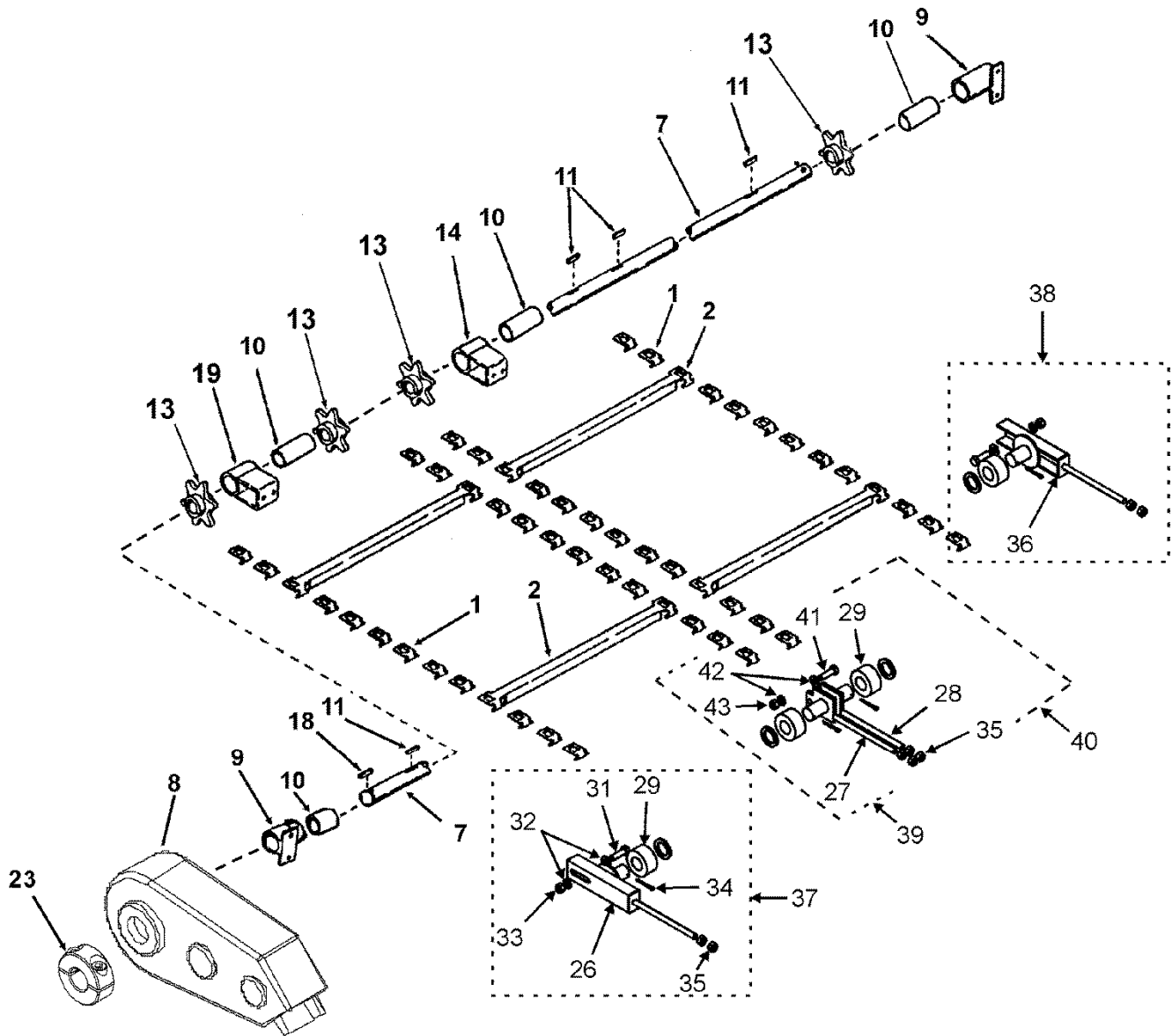
TandemParts-3465.tif

SIDE DRIVE TRAIN

Models 3600/3750

KEY	PART NO.	QTY. 3600	QTY 3750	DESCRIPTION
1	REF.	1	1	Gear Box, Beater Drive (see Separate Listing)
2	E01181	2	2	Key, 3/8" x 3/8" x 1-5/8" Long
3	E00197-04	1	1	Coupler With Chain 6018
4	E00198	1	1	Guard, Shaft - (13-7/8" Lg)
5	E00199	1	1	Shaft, Side - (214-1/2" Lg)
11	E00200	2	2	Bearing Assembly
12	E00201	1	1	Flange, 2-hole Pillow Block
13	E00202	1	1	Bearing, Wood
14	E00203	1	1	Flange, 2-hole
15	E00204-04	1	1	Key 3/8x3/8x2 1/4"
16	E00205	1	1	Guard, Shaft - (57-5/8" Lg)
17	E00206	1	1	Guard, Shaft - (66-3/4" Lg)
18	E00207	1	1	Guard, Shaft - (30-1/2" Lg)
19	E00208	1	1	Guard, Shaft - (8-1/2" Lg)
22	E00209	4	4	Bearing Assembly RAS 1 1/4"
23	REF.	4	4	Collar
24	E00211	1	1	Guard Shaft - (21" Lg)
	E20628			

APRON & RELATED PARTS
FOR STANDARD 67P11 CHAIN
Models 3600/3750

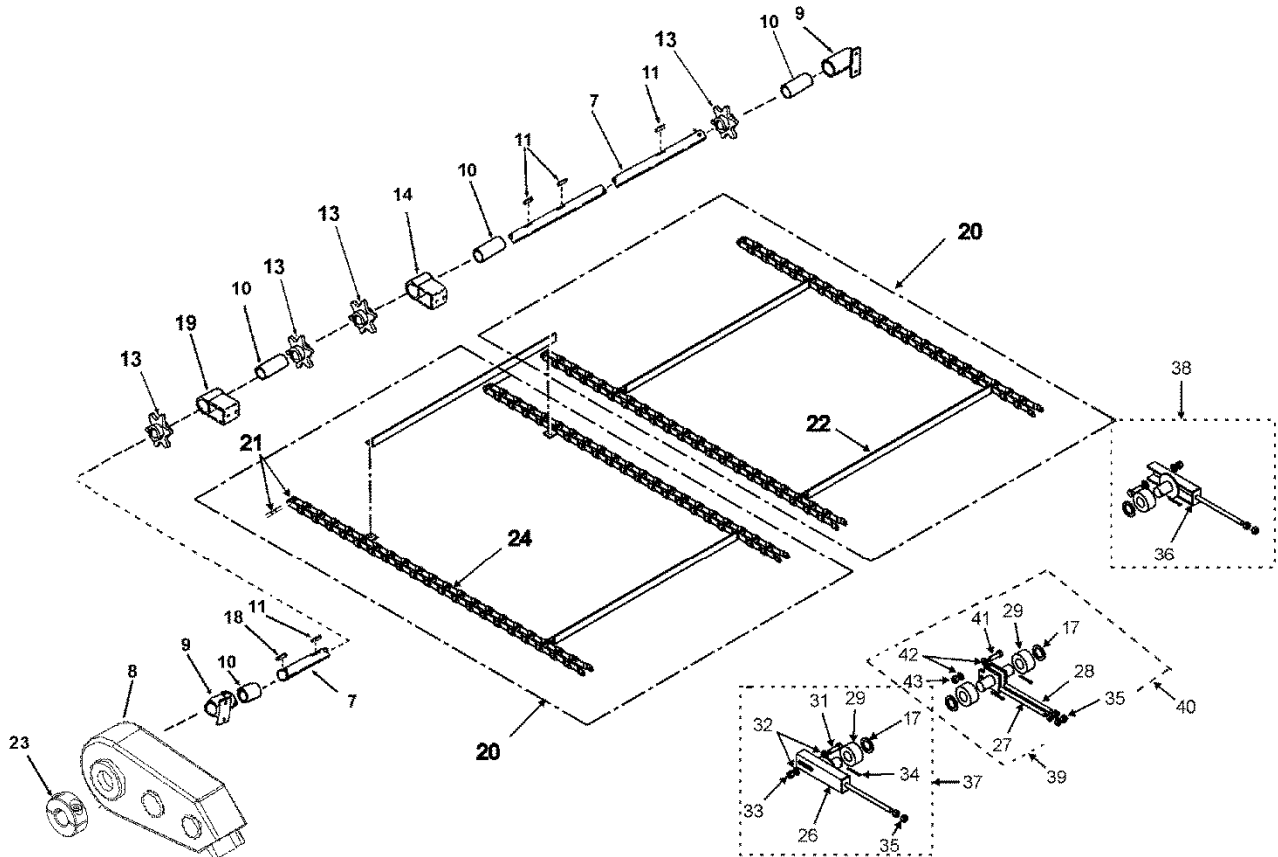


3600-3750-ApronParts.cdr

APRON & RELATED PARTS
FOR STANDARD 67P11 CHAIN
Models 3600/3750

KEY	PART NO.	QTY. 3600	QTY. 3750	DESCRIPTION
	E20740-11	2	2	Apron - Complete #67P11
1	E02027	584	584	Link, #67P11
2	E20742-10	72	72	Slat with Links 37-1/2" OA #67P11
7	E00232-11	1	1	Shaft, Apron 2-3/8" Dia. - 94" Long and 67P11 Chain Only
8	VB-000-61	1	1	Gear Box, Apron Drive (see Separate Listing)
9	E00234-11	2	2	Bearing Holder, Outside for 2-3/8" Shaft and 67P11 Chain Only
10	E00236-11	4	4	Bearing, Bronze 2.386" ID
11	E00238-11	4	4	Key, Square 5/8" x 5/8" x 3.25" Hardened
13	E00242-11	4	4	Sprocket EMC-56 9-Tooth Hardened for 67P11 Chain Only
14	E00244-11	1	1	Bearing Holder, LH Center for 2-3/8" Shaft
18	VB-00181-11	1	1	Key, 5/8" x 5/8" x 4" Hardened
19	E20737-11	1	1	Bearing Holder, RH Center for 2-3/8" Shaft
23	VB-00155	1	1	Shaft Collar, Split, 2-3/8" ID
26	E02024-11	1	1	Tightener Weldment, RH
27	E02040-11	1	1	Tightener Weldment, Right Center
28	E02031-11	1	1	Tightener Weldment, Left Center
29	E02034	4	4	Roller, Nylon
31		2	2	Bolt, 5/8" x 2"
32		4	4	Washer, 5/8" Flat
33		2	2	Nut, 5/8" Nylock
34	E02035	4	4	Pin, Cotter
35	E02020-11	8	8	Nut, 1-1/8" NC
36	E02037-11	1	1	Tightener Weldment, LH
37	E02038-11	1	1	Tightener, Complete RH
38	E02039-11	1	1	Tightener, Complete LH
39	E02032-11	1	1	Tightener, Complete RH Center
40	E02033-11	1	1	Tightener, Complete LH Center
41		1	1	Bolt, 3/4-10x2-3/4
42		2		Washer, 3/4 Flat
43		1		Nut, 3/4-10 Nylock
44	3600-VB750-8	2	2	Apron Shaft Guard

APRON & RELATED PARTS
OPTIONAL 667XH PINTLE CHAIN
Models 3600/3750



3600-3750-ApronParts-667XH.cdr

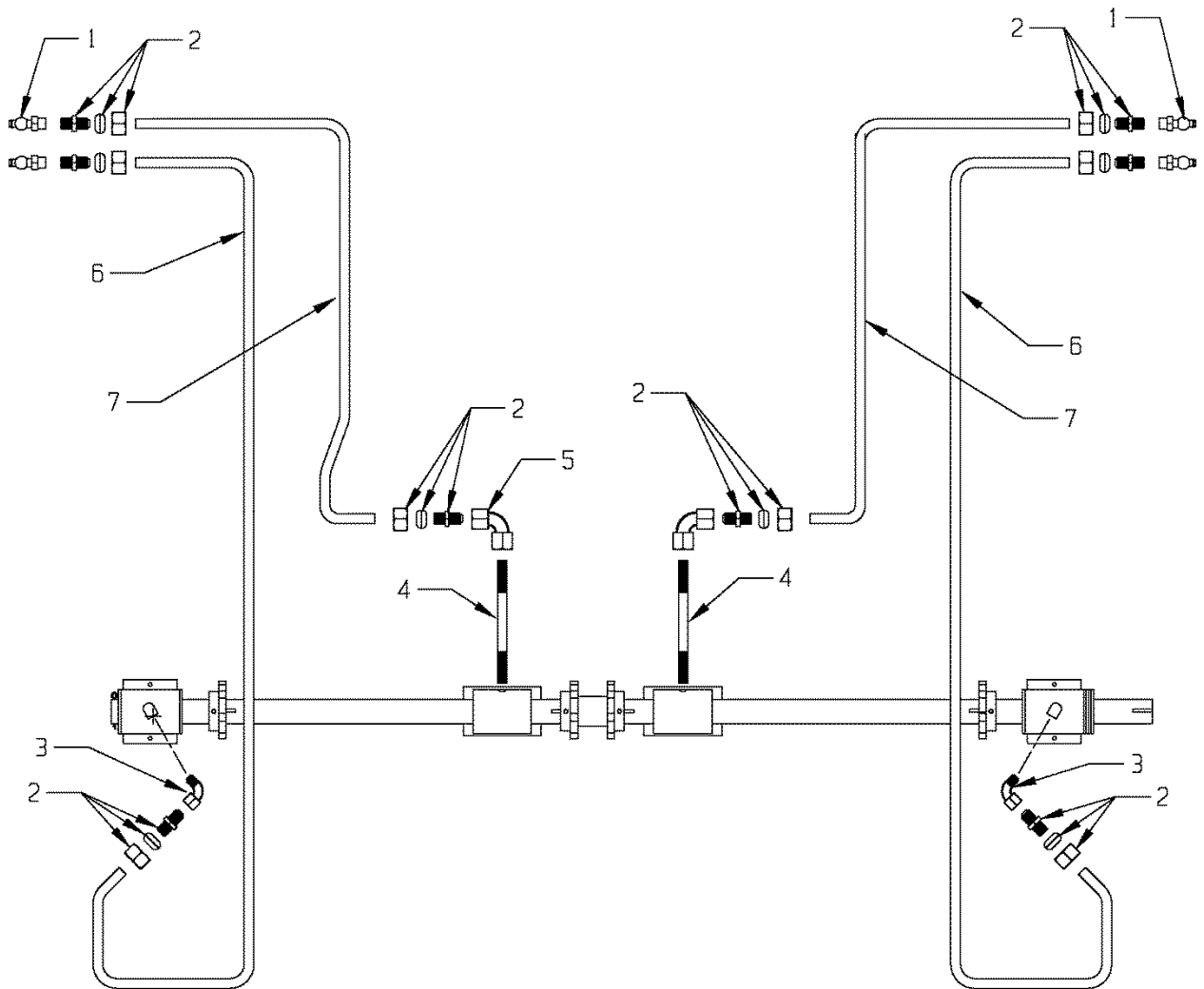
3600-3750-ApronParts-667XH.cdr

APRON & RELATED PARTS
OPTIONAL 667XH PINTLE CHAIN
Models 3600/3750

KEY	PART NO.	QTY. 3600	QTY. 3750	DESCRIPTION
7	E00232-11P	1	1	Shaft, Apron 2-3/8" Dia. x 94" For 667XH Pintle Chain Only
8	VB-000-61	1	1	Gear Box, Apron Drive (see Separate Listing)
9	E00234-11P	2	2	Bearing Holder, Outside for 2-3/8" Shaft and 667XH Pintle Chain Only
10	E00236-11	4	4	Bearing, Bronze 2.386" ID
11	E00238-11	4	4	Key, Square 5/8" x 5/8" x 2.250" Hardened
13	E20738-11	4	4	Sprocket For 667XH Pintle Chain EMC-58 10 Tooth Hardened
14	E00244-11	1	1	Bearing Holder, LH Center for 2-3/8" Shaft
18	VB-00181	1	1	Key, 5/8" x 5/8" x 4 Hardened
19	E20737-07	1	1	Bearing Holder, RH Center for 2-3/8" Shaft
20	E20740-04	2	2	Apron Complete, 667XH Pintle Chain
21	E20741	4	4	Connector Repair Pin & Cotter
22	E20742	70	70	Slat For 667XH Pintle Chain, 37-1/2" OA
23	VB-00155	1	1	Shaft Collar, Split, 2-3/8" ID
24	E20743			Link, 667XH
26	E02024-11	1	1	Tightener Weldment, RH
27	E02040-11	1	1	Tightener Weldment, Right Center
28	E02031-11	1	1	Tightener Weldment, Left Center
29	E02034	4	4	Roller, Nylon
31		2	2	Bolt, 5/8" x 2"
32		4	4	Washer, 5/8" Flat
33		2	2	Nut, 5/8" Nylock
34	E02035	4	4	Pin, Cotter
35	E02020-11	8	8	Nut, 1-1/8" NC
36	E02037-11	1	1	Tightener Weldment, LH
37	E02038-11	1	1	Tightener, Complete RH
38	E02039-11	1	1	Tightener, Complete LH
39	E02032-11	1	1	Tightener, Complete RH Center
40	E02033-11	1	1	Tightener, Complete LH Center
41		1	1	Bolt, 3/4-10x2-3/4
42		2		Washer, 3/4 Flat
43		1		Nut, 3/4-10 Nylock
44	3600-VB750-8	2	2	Apron Shaft Guard

LUBE BANK

Models 3600/3750



GreaseLines-3465.tif

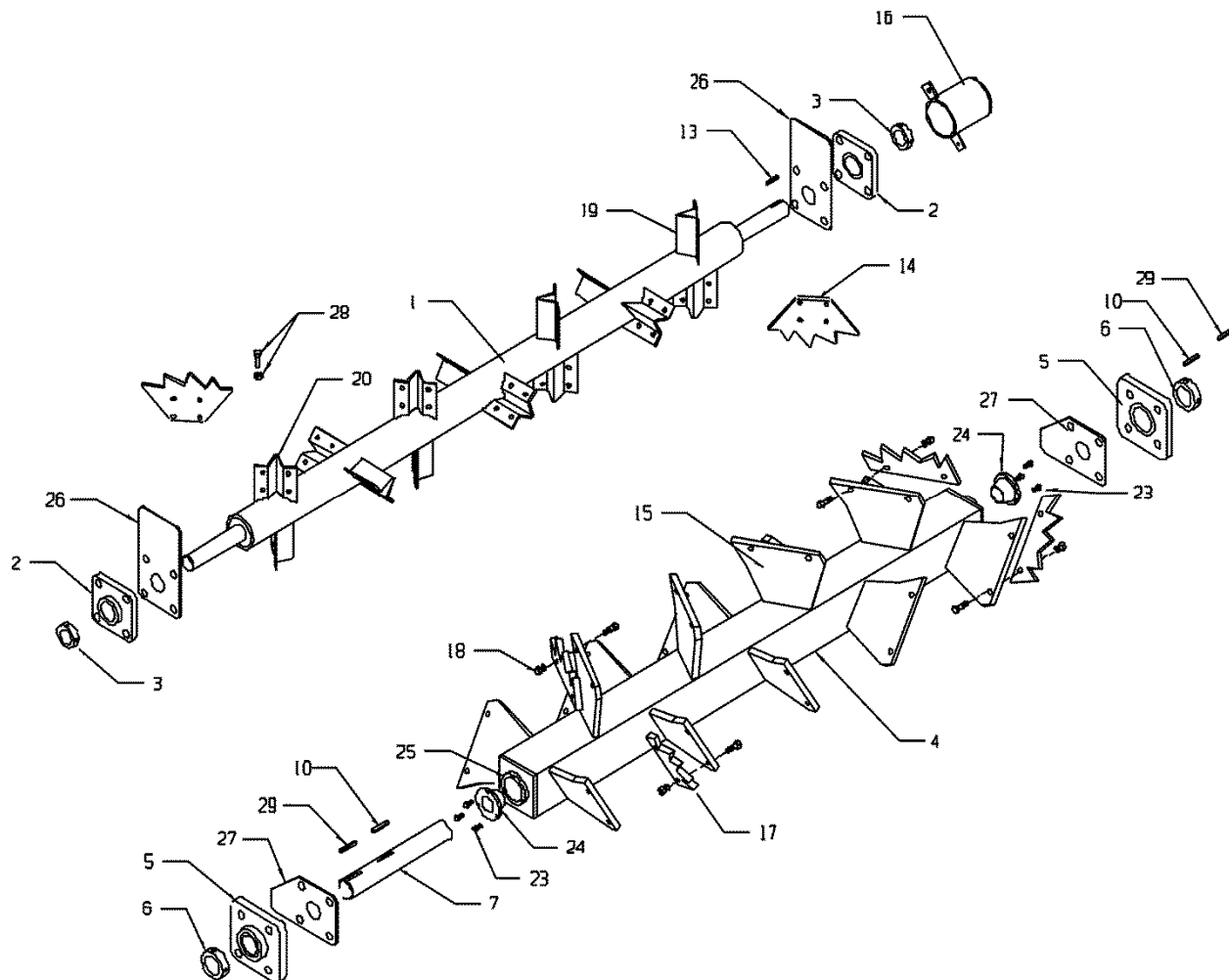
LUBE BANK

Models 3600/3750

KEY	PART NO.	QTY.	DESCRIPTION
1	E20730	4	Zerk, 1/8NPT Str
2	E20731	8	BF Connector 1/4Tx1/8MPT
3	E20732	2	Elbow, 1/8x90 Blk, Street
4	E20733-06	2	Nipple, Sch 40, 1/8NPTx3 Blk, 4"
5	E22448	2	Elbow, 1/8" 90° Blk
6	E20735	2	Tube, Outside - 36"
7	E20736	2	Tube, Inside - 57"

BEATERS & RELATED PARTS

Models 3600/3750



BeaterParts-3465.tif

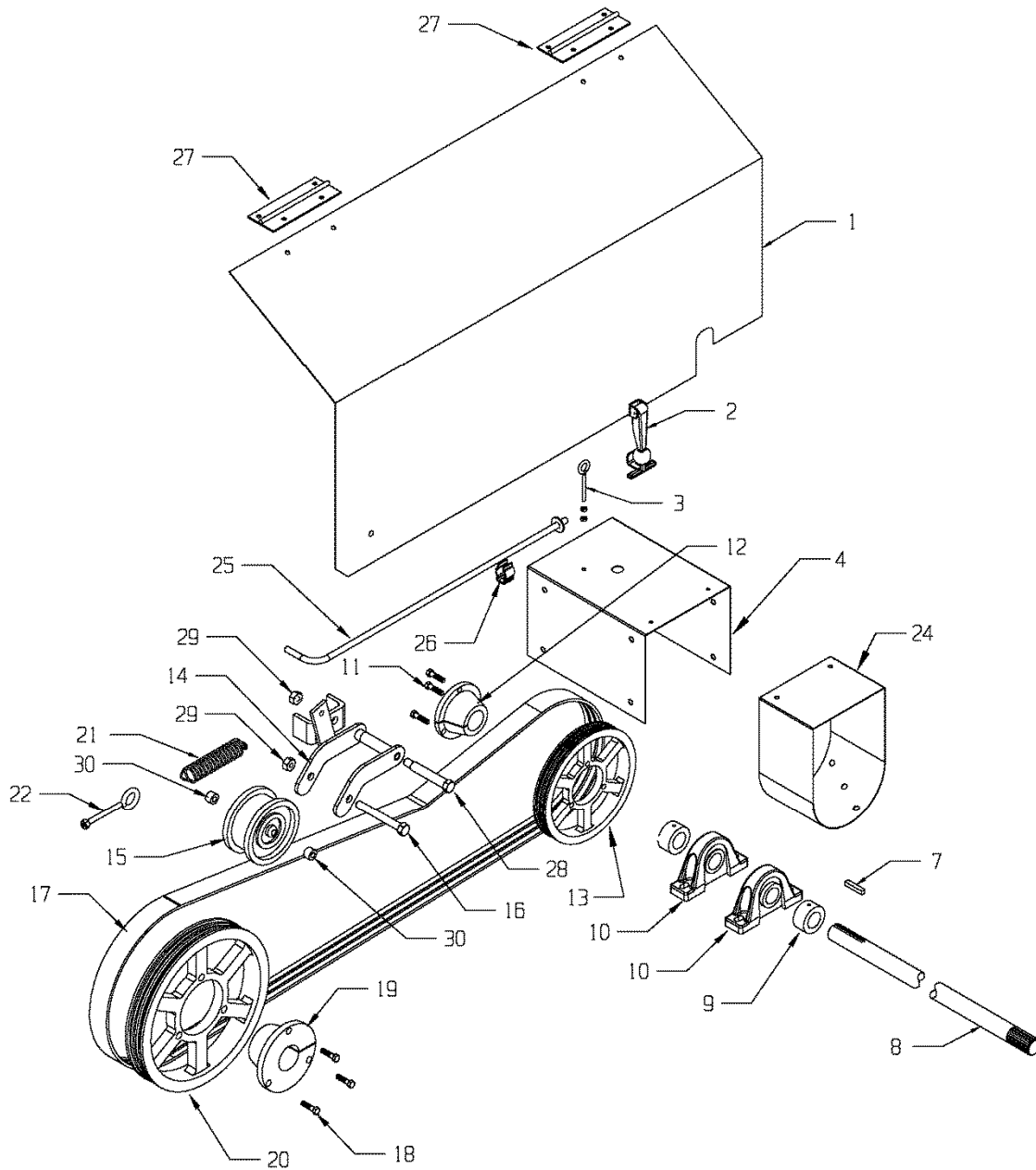
BEATERS & RELATED PARTS

Models 3600/3750

KEY	PART NO.	QTY. 3600	QTY 3750	DESCRIPTION
1	E00259-07		1	Beater, Upper Only, For 2" Dia. Shaft (Model 3600 SN 8360008+) (Model 3750 SN 7375008+)
	E00259	1	1	Beater, Upper Only, For 1 1/2" Dia. Shaft (Model 3600 SN 8360007-) (Model 3750 SN 7375007-)
2	E00261-07	2	2	Bearing Assembly, 4 Bolt, SCJ 2" Upper
	E00261	2	2	Bearing Assembly, RCJ 1-1/2" Upper
3	REF.	2	2	Collar
4	E00263-04	1	1	Beater, Lower
5	E00265-04	2	2	Bearing Assembly, RCJ 2-7/16
6	REF.	2	2	Collar
7	E00267-04	1	1	Shaft 2-7/16" DIA
10	E00271-04	2	2	Key 5/8" x 5/8" x 2-1/2"
13	E20932	1	1	Key 3/8"x2"
14	E00275-04	18	18	Paddle, Upper Beater
15	E00277-04	18	18	Paddle, Lower Beater Base
16	E00279-04	1	1	Beater Shaft And Collar Guard, Top Beater
17	E00280-04	18	18	Paddle, Lower Beater Tip
18	E00282	36	36	Nut, Washer, Bolt - GR8 5/8"x1-3/4"
19	E01984	9	9	Weld on Ear, LH
20	E01985	9	9	Weld on Ear, RH
23		8	8	1/2" x 1-3/4" GR5 Bolts
24	E20830-04	2	2	2-7/16" Taper Hub
25	E20831-04	2	2	2-7/16" Taper Weld Bushing
26	E20832-07		2	Twine Protectors, Top Beater, For 2" Dia. Shaft (Model 3600 SN 8360008+) (Model 3750 SN 7375008+)
	E20832-04	2	2	Twine Protectors, Top Beater, For 1 1/2" Dia. Shaft (Model 3600 SN 8360007-) (Model 3750 SN 7375007-)
27	E20833-04	2	2	Twine Protectors, Bottom Beater
28	E01986	72	72	1/2 x 1-1/2 GR5 Bolt & Nut
29	E20835	2	2	Key, 5/8" x 1/2" x 2"

FRONT DRIVE TRAIN

Models 3600/3750



BeltDriveParts-3465.tif

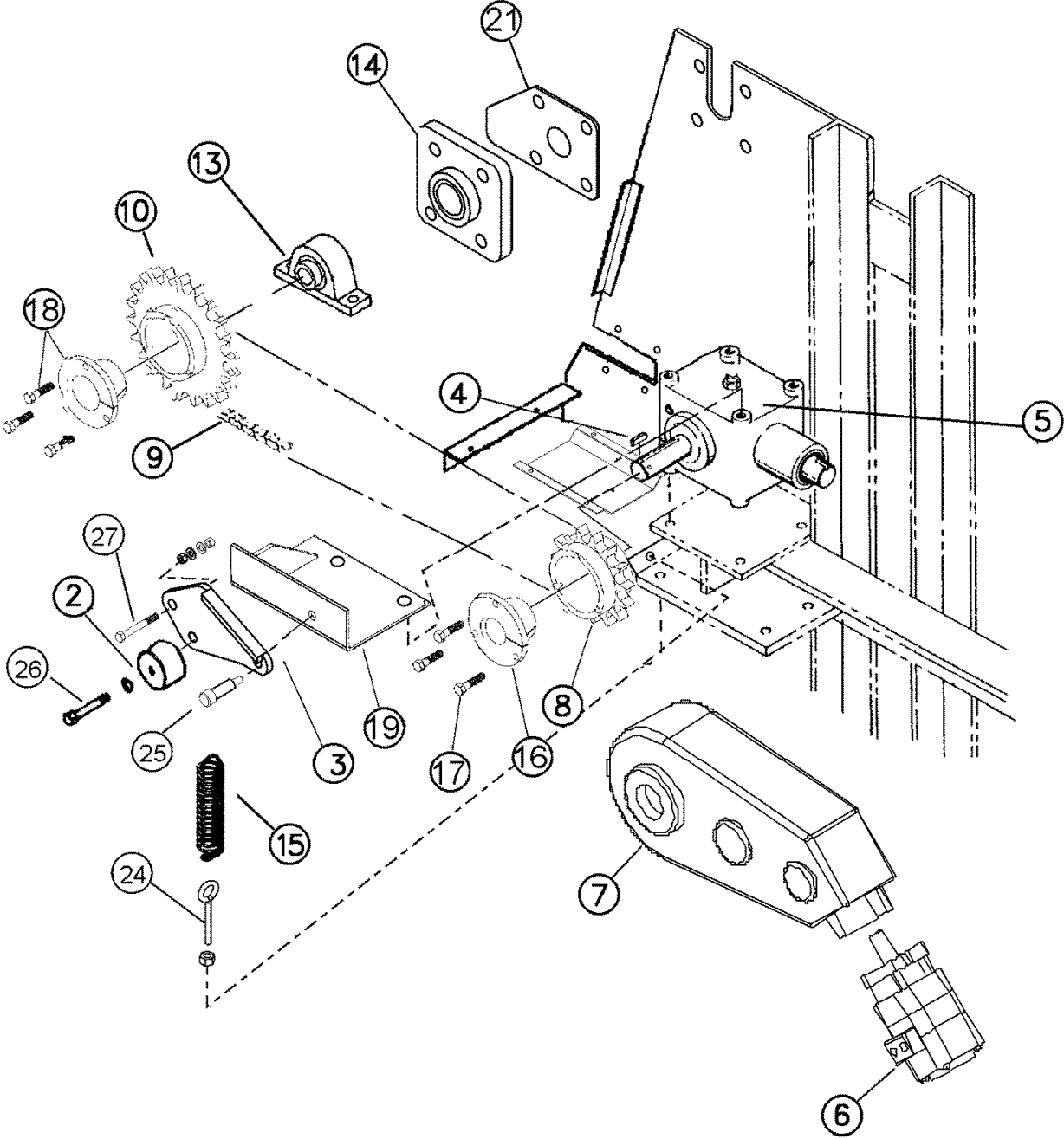
FRONT DRIVE TRAIN

Models 3600/3750

KEY	PART NO.	QTY. 3600	QTY 3750	DESCRIPTION
1	E00303-00	1	1	Shield, Front Roller Chain
2	E00016	1	1	Lock Assembly
3	E20934	1	1	Eye Bolt
4	E20933-04	1	1	Shield, Front Drive Shaft
7	E20932	1	1	Key, 3/8" x 2"
8	700027-09	1	1	Shaft, Front Drive 1-3/4" x 31 7/8" Lg Spline Shaft
9	REF.	3	3	Collar
10	E00298-09	2	2	Bearing Assembly, RAK 1 3/4"
11		3	3	3/8" x 2" GR5 Bolt
12	E20936-09	1	1	SF1-3/4" QD Bushing
13	E20937-04	1	1	QD Sheave
14	E00307-04	1	1	Tension Arm
15	E00311-04	1	1	Tension Adjuster Idler Pulley
16		1	1	Bolt 1/2" x 4 1/2"
17	E00308-04	1	1	Belt
18		3	3	1/2" x 2-3/4" GR5 Bolt
19	E20939-04	1	1	E - 1-1/4" QD Bushing
20	E20938-04	1	1	QD Sheave
21	E00313-03	1	1	Spring, Tension
22	E22642	1	1	Eye Bolt 1/2" x 5" w/Nut Lock
24	E00300	1	1	Strap, Rubber
25	E20946	1	1	Shield Prop Rod
26	E20941	1	1	Shield Rod Keeper
27	E20942	2	2	Hinge, Shield
28	E20944-04	1	1	Shoulder Bolt, Tension Arm 4"
29		2	2	Nylon Lock Nut, 1/2"
30	E20945	2	2	Bushing, 1/2" ID x 1 1/8"

BEATER DRIVE TRAIN

Models 3600/3750



BeaterDrive-3600-3465.tif

BEATER DRIVE TRAIN

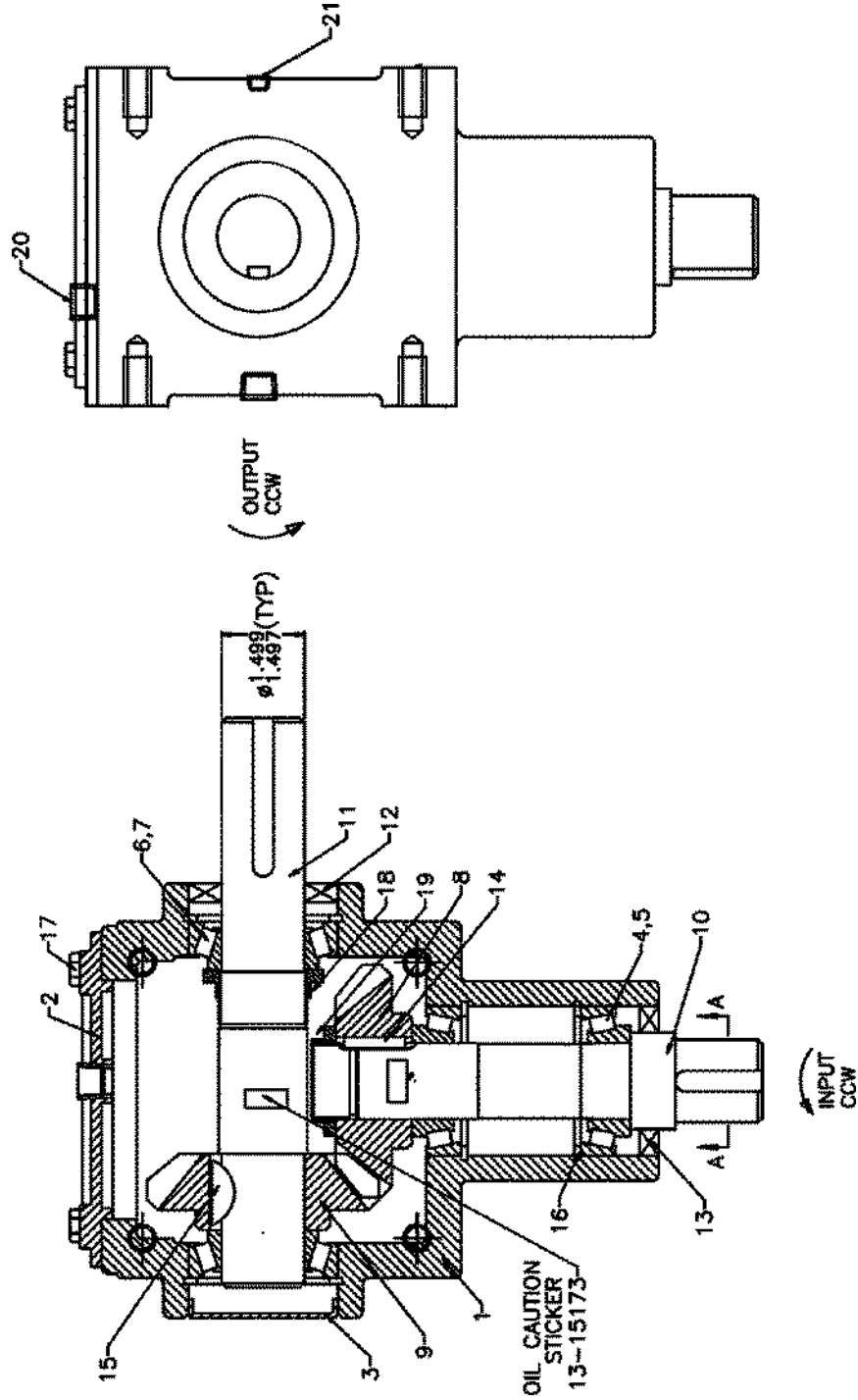
Models 3600/3750

KEY	PART NO.	QTY. 3600	QTY 3750	DESCRIPTION
2	E00311-00	1	1	Tension Adjuster 1/2" Bore, Rubber
3	E00307-04	1	1	Tension Arm
4	E00316	1	1	Key 3/8"x2"
5	REF	1	1	Gear Box, Beater Drive (see separate listing)
6	REF	1	1	Motor, Hydraulic (see separate listing)
7	REF	1	1	Gear Box, Apron Drive (see separate listing)
8	E210391-04	1	1	80SF20 - 1-3/8" QD Sprocket
9	E00330-04	1	1	Chain, Lower Beater Drive-(#80H-68 Pitches) w/Connector
10	E20828-04	1	1	80SF30 - 2-7/16" QD Sprocket
13	E00331-04	1	1	Bearing, Pillow Block, YAS 2-7/16"
14	E00265-04	2	2	Bearing, RCJ 2-7/16
15	E00313-03	1	1	Spring, Tension
16	E21040-04	1	1	SF - 1-1/2" QD Bushing
17		3	3	3/8" x 2" GR5 Bolt
18	E20829-04	1	1	SF- 2-7/16 QD Bushing with 3/8" x 2" GR5 Bolts
19	E21041-04	1	1	Bracket Tension Mounting
21	REF	2	2	Twine Protector, Bottom Beater (see separate listing)
24	E22743	1	1	Eye Bolt, 1/2" x 4"
25	E20944	1	1	Shoulder Bolt Tension Arm
26	REF	1	1	1/2" x 4" Bolt GR2
27	REF	1	1	1/2" x 2" Bolt w/2 Locknuts & 2 Washers

E00344-05 540 RPM BEATER DRIVE GEAR BOX COMPLETE

Used from 12/1/04 - ?
First Serial No. 163550 and 16370005
Last Serial No. ?

Models 3600/3750



4190-0318-GearboxParts.tif

E00344-05 540 RPM BEATER DRIVE GEAR BOX COMPLETE

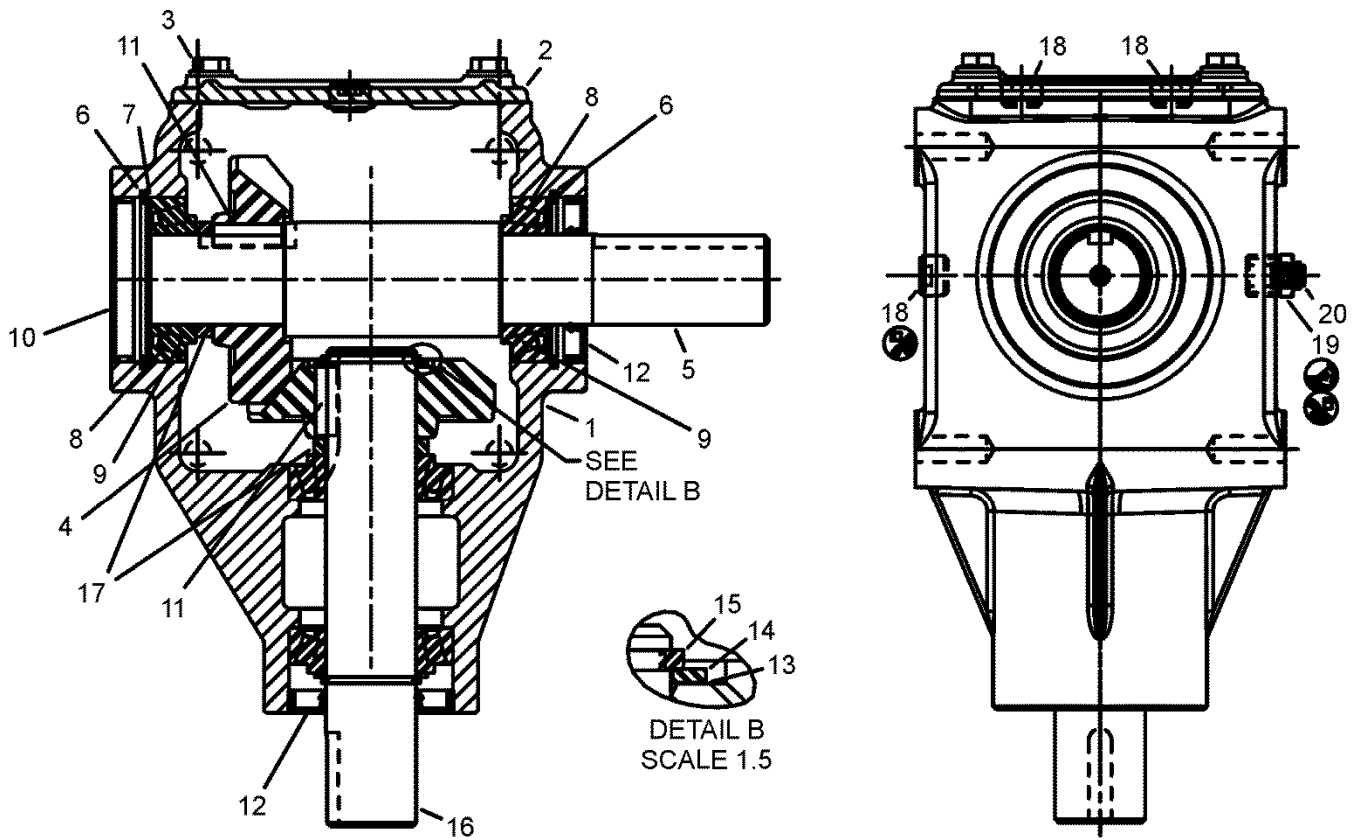
Used from 12/1/04 - ?
 First Serial No. 163550 and 16370005
 Last Serial No. ?

Models 3600/3750

KEY	PART NO.	QTY. 3600	QTY. 3750	DESCRIPTION
1	E21242-W	1	1	Housing 70-00015
2	E01302	1	1	End Cap A40 -15
3	E01316	1	1	Stamping Cover K155
4	E01914	3	3	Bearing Cone (14137A)
5	E01915	3	3	Bearing Cup (14276)
6	E01366	1	1	Bearing Cone (13687)
7	E01367	1	1	Bearing Cup (13620)
8	E21143-W	1	1	Gear DP 4 Teeth 17 71-00049
9	E21144-W	1	1	Gear DP 4 Teeth 17 71-00037
10	E01289-W	1	1	Shaft Input
11	E00356-W	1	1	Cross Shaft Output
12	E01369	1	1	Nat. #410984 (1.500X2.720X0.468)
13	E01917	1	1	Nat. #323119 (1.750X2.721X0.437)
14	E21145-W	1	1	Square Key (3/8X1.14)
15	E01920	1	1	Woodruff Key #1210
16	E01879	4	4	Snap Ring D23
17	E21146-W	4	4	Bolt 3/8 - 16UNC X 1.0
18	E01301	1	1	Locknut 5/8-18 D113
19	E21147-W	1	1	Locknut 1 3/8 - 18 UNC
20	E21142	2	2	3/8 NPT Pipe Plug K38
21	E21148-W	1	1	1/8 NPT Relief Plug
	E00344-05	1	1	Gear Box Complete 4190
	E21149			

5490-0686 540 RPM BEATER DRIVE GEAR BOX COMPLETE
(WILL REPLACE E00344-05 GEAR BOX AT A LATER DATE.)

Models 3600/3750



3600-3750-Gearbox-5490-0686.cdr

5490-0686 540 RPM BEATER DRIVE GEAR BOX COMPLETE

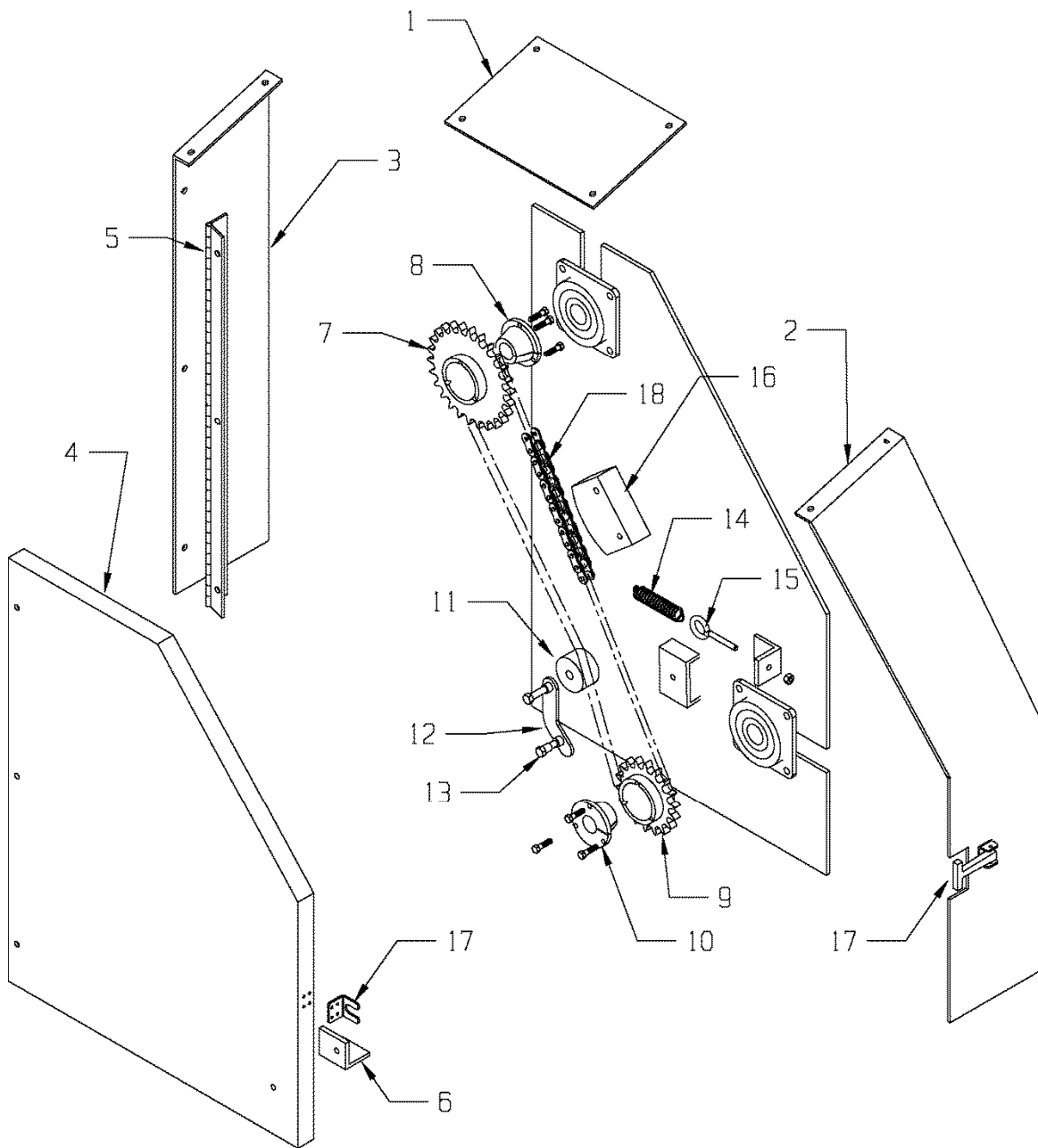
(WILL REPLACE E00344-05 GEAR BOX AT A LATER DATE.)

Models 3600/3750

KEY	PART NO.	QTY. 3600	QTY. 3750	DESCRIPTION
1	70-06130	1	1	Machined Housing
2	E01302	1	1	Machined End Cap
3	11-20439	4	4	Screw, 5/16 - 18 X 3/4 11-20439
4	E21144-W	2	2	Gear DP 4 Teeth 17 71-06100 w/ 11-40608 Spacer
5	09-70157	1	1	Cross Shaft Output Shimming Required 03/06 - 10/13
6	E01879	2	2	Retaining Ring 24-15269
7	19-16593	AR	AR	Spacer Kit (Not Used On 4190-0533 Box)
8	E01367	4	4	Bearing Cup (13620)
9	E01366	4	4	Bearing Cone (13687)
10	E01316	1	1	Stamping Cover 28-11029 (69 X 9.5)
11	11-61035	2	2	9.5 X 29 Square Key
12	28-11024	2	2	Seal (1.50 X 2.721 X 0.375)
13	19-16605	AR	AR	Shim Kit
14	11-40599	2	2	Spacer
15	24-15265	2	2	Retaining Ring
16	09-70158	1	1	Shaft
17	11-40608	2	2	Spacer
18	E21142	3	3	Pipe Plug, 3/8 - 18 NPT
19	11-81051	1	1	3/8 NPT to 1/8 NPT Bushing
20	E01320	1	1	1/8 - 27 NPT Relief Plug
	5490-0686	1	1	Gearbox Complete

UPPER BEATER DRIVE

Models 3600/3750



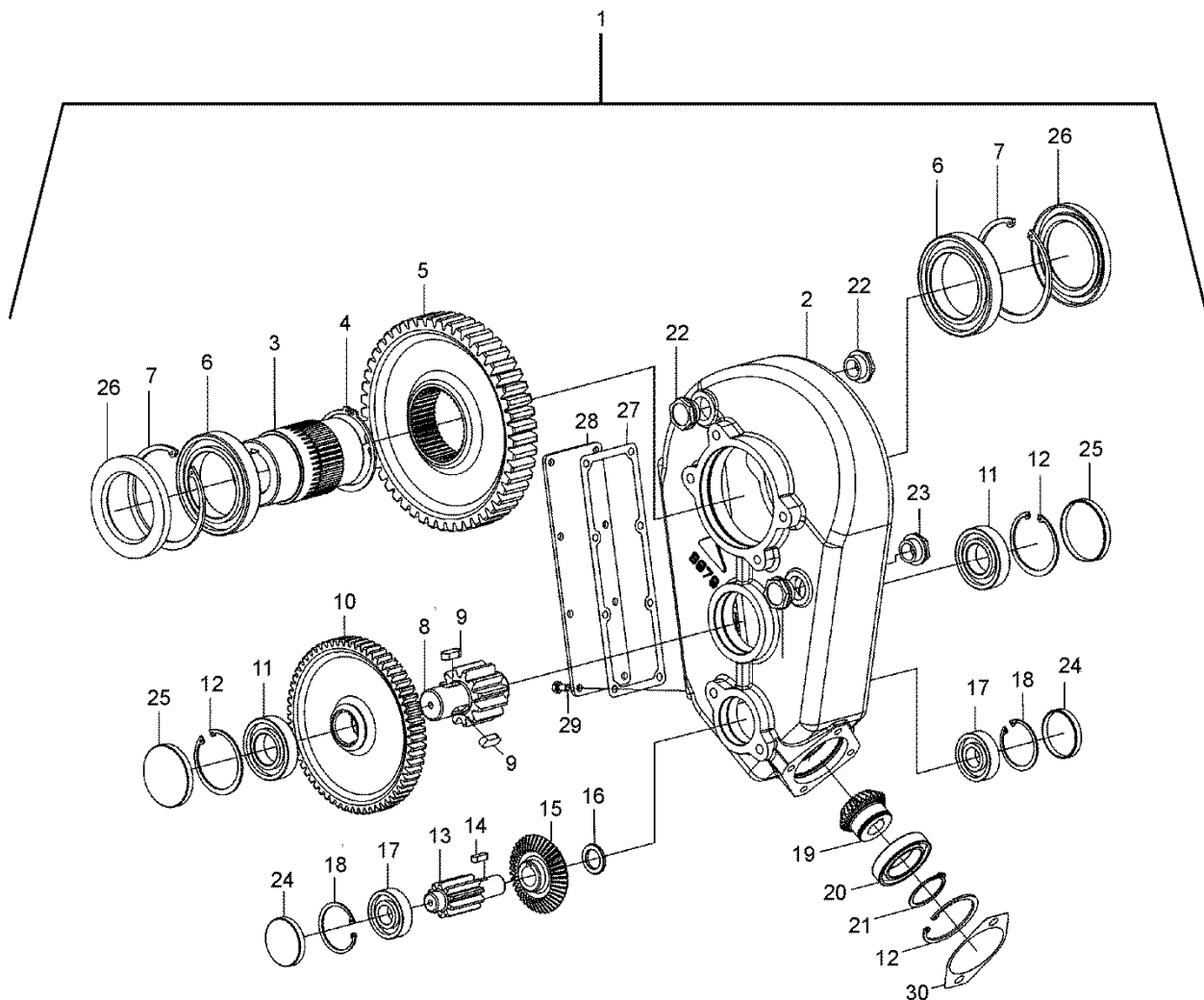
BeaterDriveParts-3465.tif

UPPER BEATER DRIVE

Models 3600/3750

KEY	PART NO.	QTY. 3600	QTY 3750	DESCRIPTION
1	E21543	1	1	Shield Top, Upper Beater Drive
2	E21544	1	1	Shield Back, Upper Beater Drive
3	E21545	1	1	Shield Front, Upper Beater Drive
4	E21546	1	1	Shield Door, Upper Beater Drive
5	E21547	1	1	Hinge, Door Shield
6	E21548	1	1	Door Lift
7	E20938	1	1	80SF26 QD Sprocket
8	E20834	1	1	SF 2" QD, Bushing w/3-3/8 x 1-1/2" Bolts GR5
9	E20828	1	1	80SF22 QD. Sprocket
10	E20829-04	1	1	SF 2-7/16 QD Bushing w/3-3/8 x 2" Bolts GR5
11	E00311-00	1	1	Tension Adjuster 1/2" Bore, Rubber
12	E21549	1	1	Tension Arm
13	E20944	1	1	Shoulder Bolt, Tension Arm
14	E00313-03	1	1	Spring, Tension
15	E21550	1	1	Eyebolt Tensioner 1/2" x 4"
16	E20943	1	1	Block, Chain Whip
17	E00016	1	1	Lock Assembly
18	E21551	1	1	Chain #80H x 90 Pitches w/Connector Upper Beater
	E21552			

MODEL 3600/3750 APRON DRIVE GEARBOX



RT500-GearboxParts.tif

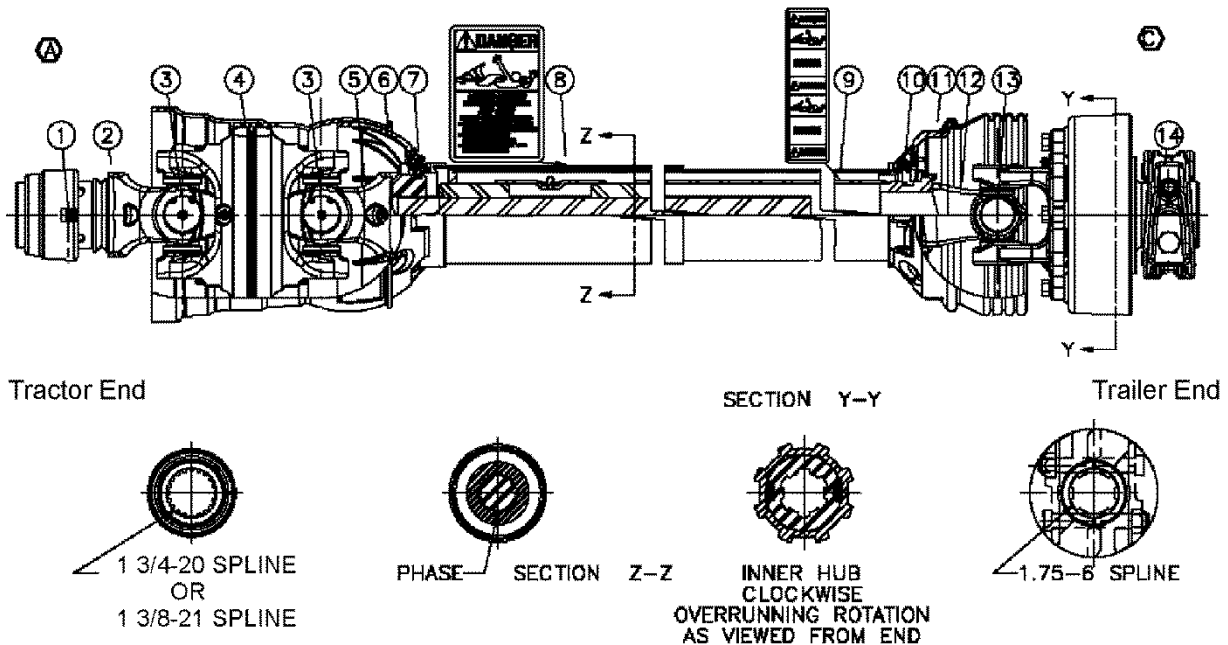
MODEL 3600/3750 APRON DRIVE GEARBOX

KEY	PART NO.	QTY	DESCRIPTION	
1	VB-00061	1	Complete Gearbox	15410.2375
2	VB-00032	1	Housing	8979
3	VB-00033-11	1	Hub	15414
4	VB-00034	1	Circlip E 95	9066
5	VB-00035	1	Gear Z=54	8996
6	VB-00036	2	Bearing 6017	9067
7	VB-00037	2	Circlip I 130	9069
8	VB-00038	1	Pinion Z=12	9009
9	VB-00039	2	Key 12 x 8 x 30	4174
10	VB-00040	1	Gear Z=63	9007
11	VB-00041	2	Bearing 6208	10509
12	VB-00042	3	Circlip I 80	3435
13	VB-00043	1	Pinion Z=10	9008
14	VB-00044	1	Key 8 x 7 x 25	3396
15	VB-00045	1	Gear Z=43	8670-2
16	VB-00046	1	Spacer	9010
17	VB-00047	2	Bearing 6305	8596
18	VB-00048	2	Circlip I 62	3433
19	VB-00049	1	Pinion Z=28	8670-1
20	VB-00050	1	Bearing	1538
21	VB-00051	1	Circlip E 50	3428
22	VB-00052	2	Oil Plug Ø1" Gas	9175
23	VB-00053	2	Oil Level Indic Ø1" Glass	1831
24	VB-00054	2	Plug	8625
25	VB-00055	2	Plug	8243
26	VB-00056	2	Oil Seal 85/130/12	9068
27	VB-00057	1	Gasket	9064
28	VB-00058	1	Cover	9065
29	VB-00059	8	Screw Hex-Hd M8 x 16	3284
30	VB-00060	1	Gasket	8671

Removable CV Telescoping Universal Joint Assembly With Over Running Automatic Clutch & Guard, Trailer To Tractor

(Used 12-11-09 And Later)

Model 3600 & 3750, 1 3/4-20 AND 1 3/8-21 Spline

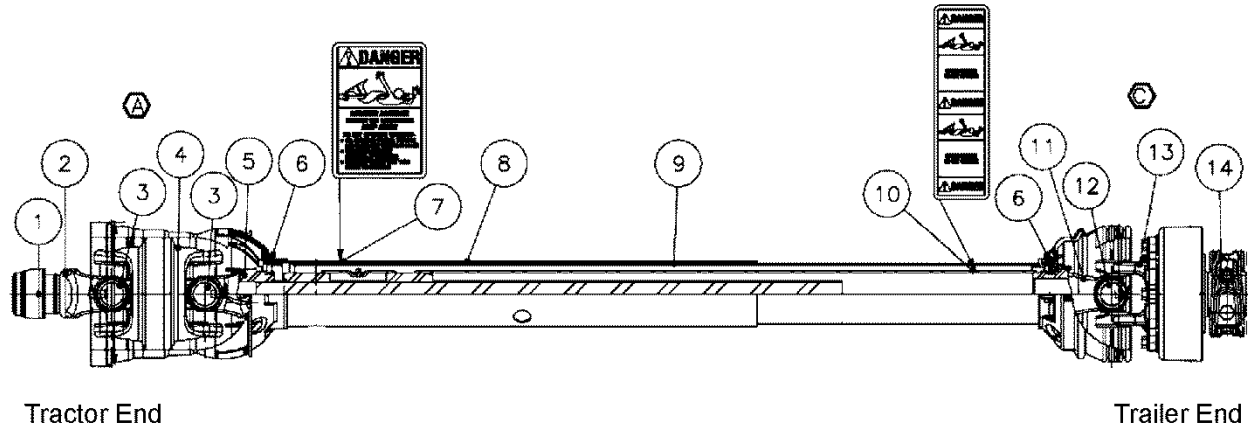


3600-3750-JointAssembly09+.cdr

KEY	PART NO.	QTY		DESCRIPTION
		1 3/4-20	1 3/8-21	
A	E00475-10	1	0	Joint & Shaft Half Asm W/Guard, 93-25052
	E00471-10	0	1	Joint & Shaft Half Asm W/Guard, 93-25050
C	E00476-09	1	1	Joint & Tube Half Asm W/Guard, 92-24396
1	E00476-10	1	0	SSL/AutoLok Repair Kit, 26-13387
	E00451-10	0	1	SSL/AutoLok Repair Kit, 26-15120
2	E00472-10	1	0	WWCV Auto-Lok Yoke Asm 68810-1005
	E00452-10	0	1	WWCV Auto-Lok Yoke Asm 68810-1003
3	E00453-10	2	2	AB8/AW24EBL Cross Kit 03-15570
4	E00454-10	1	1	WWCV Center Housing 26-16033
5	E00456-10	1	1	WWCV Yoke & Shaft, (1.31-20) 99-25050
6	E00459-10	1	1	Outer Guard, 97-24063 (*items 6 & 11 repaired as a set)
7	E00457-10	1	1	Guard Repair Kit 19-15194
8	E00458	1	1	Safety Sign, 13-10021
9	VB-00071	1	1	Safety Sign, 13-10022
10	E00457	1	1	Guard Repair Kit, 19-15129
11	E00472-09	1	1	Inner Guard, 96-24396 (*items 6 & 11 repaired as a set)
12	E00473-09	1	1	Yoke, Tube & Slip Sleeve, 98-24396
13	E00465	1	1	35E Cross Kit, 03-15303
14	E00474-09	1	1	Automatic Clutch Asm, 38-11213

Removable CV Telescoping Universal Joint Assembly With Over Running Automatic Clutch & Guard, Trailer To Tractor

(Used 10-01-08 to 12-11-09)



Tractor End

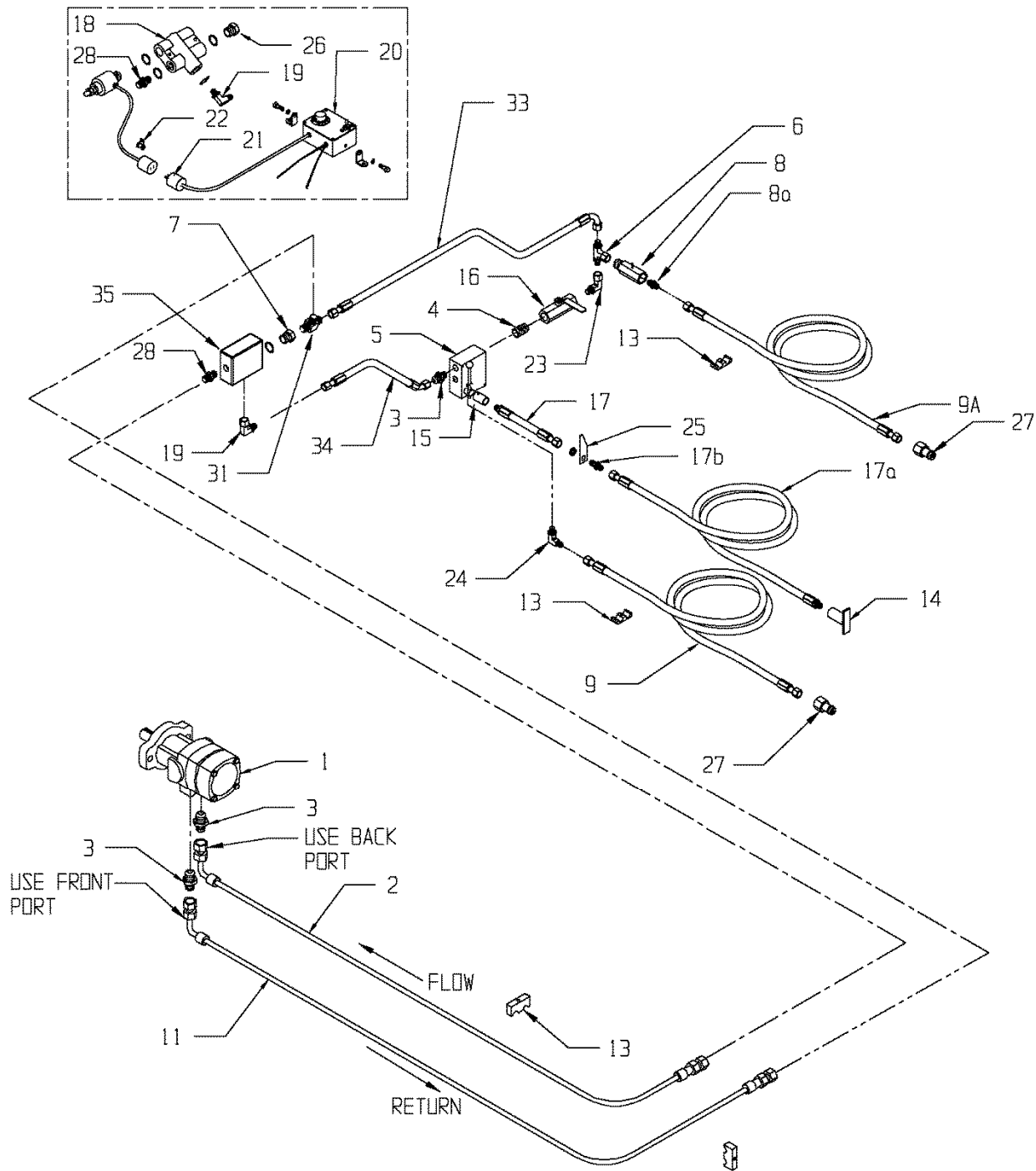
Trailer End

3600-3750-JointAssembly08-09.cdr

KEY	PART NO.	QTY	DESCRIPTION
A	E00471-08		Joint & Shaft Half Asm W/Guard, 93-24396
C	E00476-09	1	Joint & Tube Half Asm W/Guard, 92-24396
1	E00451	1	SSL/AutoLok Repair Kit, 26-15120
2	E00452	1	SSL Yoke Asm., 35221-1539
3	E00453	1	Cat 5 80°E CV Cross & Bearing Kit, 03-15210
4	E00454	1	CV Center Housing Asm., 26-15142
5	E00456-08	1	Yoke & Shaft, (1.31-20) 99-24063
6	E00457	1	Guard Repair Kit 19-15129
7	E00458	1	Safety Sign, 13-10021
8	E00459-08	1	Outer Guard, 97-24063
9	E00472-09	1	Inner Guard, 96-24396
10	VB-00071	1	Safety Sign, 13-10022
11	E00473-09	1	Yoke, Tube & Slip Sleeve, 98-24396
12	E00465	1	35E Cross & Bearing Kit, 03-15303
13	E00474-09	1	Automatic Clutch Asm, 38-11213
14	E00475-09	1	Hub Clamp Asm, 06-13492

STANDARD HYDRAULIC APRON-FLOW CONTROL ON SPREADER AND OPTIONAL ELECTRIC CONTROL

Models 3600/3750



HydParts-3400-tif

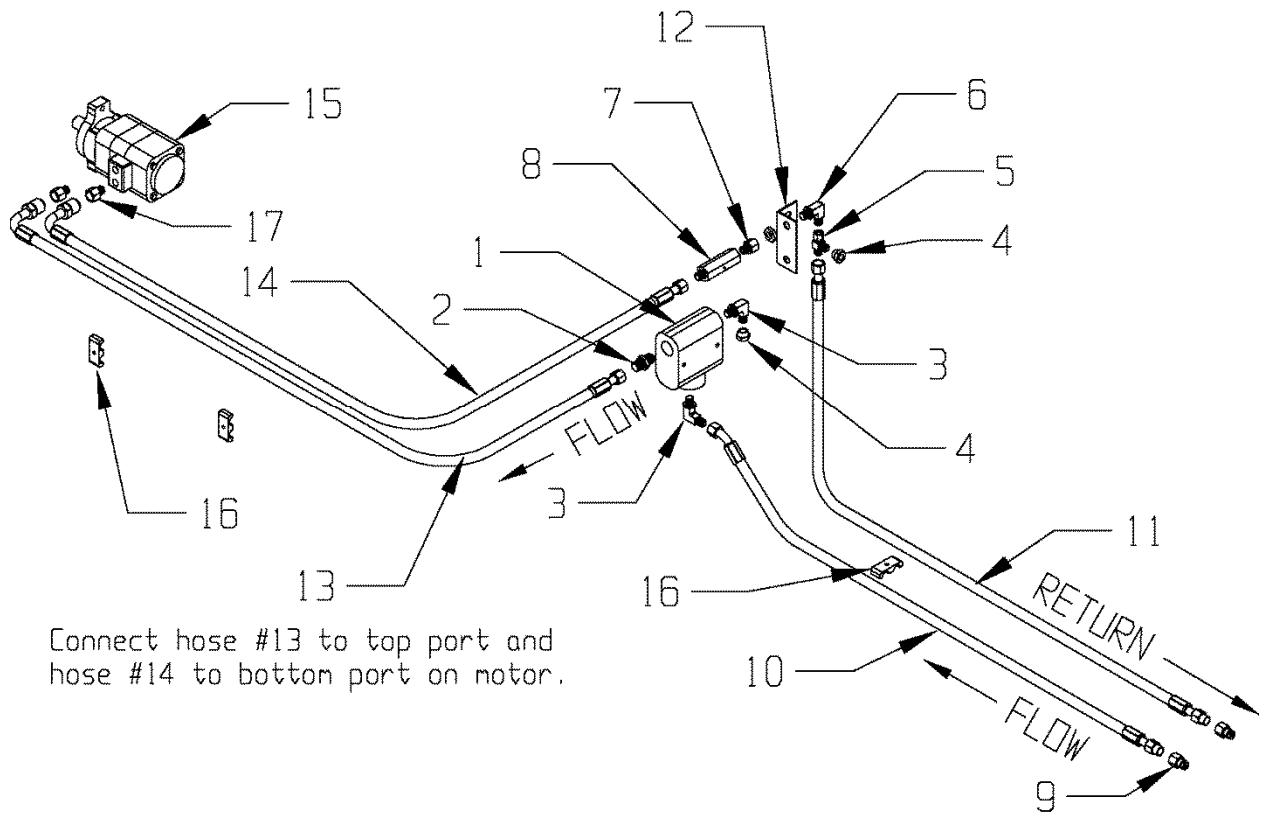
STANDARD HYDRAULIC APRON-FLOW CONTROL ON SPREADER AND OP- TIONAL ELECTRIC CONTROL

Models 3600/3750

KEY	PART NO.	QTY. 3600	QTY 3750	DESCRIPTION
1	E00509-04	1	1	Motor, Hydraulic - HB, 2-Bolt
2	E00483-09-S	1	1	Hose Flow Line 8M3K-8G-8FJX90S-8G-8FJX-243"
3	E00484-00	3	3	Adapter JIC to O-Ring 6400-8-10
4	E00485-00	1	1	O-Ring Adapter 6403NW0-10-8 RD1910-16
5	E00486-00	1	1	Valve, Motor Control
6	E00487-00	1	1	Tee 6803-8-8
7	E21458	1	1	O-Ring Adapter 6410-12-8
8	E00489-00	1	1	Valve, Check LTF-8-OW
8a	E21447	1	1	O-Ring Adapter 6400-8-8
9	E00490-00	1	1	Hose Hydraulic 8M3K-8G-8MP-8G-8FJX-132"
9a	E21450	1	1	Hose Hydraulic 8M3K-8G-8MP-8G-8FJX45-132"
11	E00492-09-S	1	1	Hose Return Line 8M3K-8G-8FJX90S-8G-8FJX90S-247"
13	E00494	6	6	1/2" Hose Bracket
14	E00495	1	1	Hose Handle
15	E00496	1	1	Hose Control Adapter
16	E00497-00	1	1	Ball Valve 72-903
17	E00498-00	1	1	Control Hose 8G2-8G-8MP-8G-8FJX- 8.75"
17a	E21444	1	1	Control Hose 8G2-8G-8MP-8G-8FJX-157"
17b	E21445	1	1	Bulk Head 2700-LN-8
18	E00500	1	1	Motorized Flow Control
19	E23579	2	2	O-Ring to JIC 90° Adapter 6801-8-12
20	E00502	1	1	Electric Flow Controller
21	E00503-04	1	1	Flat Plug Connector
22	E00504	3	3	Cord Clamp
23	E00505	1	1	90° O-Ring Adapter to JIC 6809-8-8
24	E21442	1	1	O-Ring Adapter to JIC 90° 6801-8-10
25	E21443	1	1	Pointer Speed Control
26	E21448	1	1	O-Ring Adapter 6403NW0-12-8EX
27	E01591	2	2	Quick Coupler
28	E21450	2	2	Adapter 6400-8-12 O-Ring
31	E21452	1	1	Tee 6804-8-8
33	E21454	1	1	Hose/Flow Control Ex to Return 8M3K-8G-8FJX-8G-8FJX-90°S-35"
34	E21455	1	1	Hose/In on 14gpm Control to CF on Flow Control 8M3K-8G-8FJX-8G-8FJX-28"
35	E21456-06	1	1	Valve Controlled Flow BG511.5-12SAE

OPTIONAL TRACTOR LEVER OPERATED HYDRAULIC APRON

Models 3600/3750



HydDiag-3465.tif

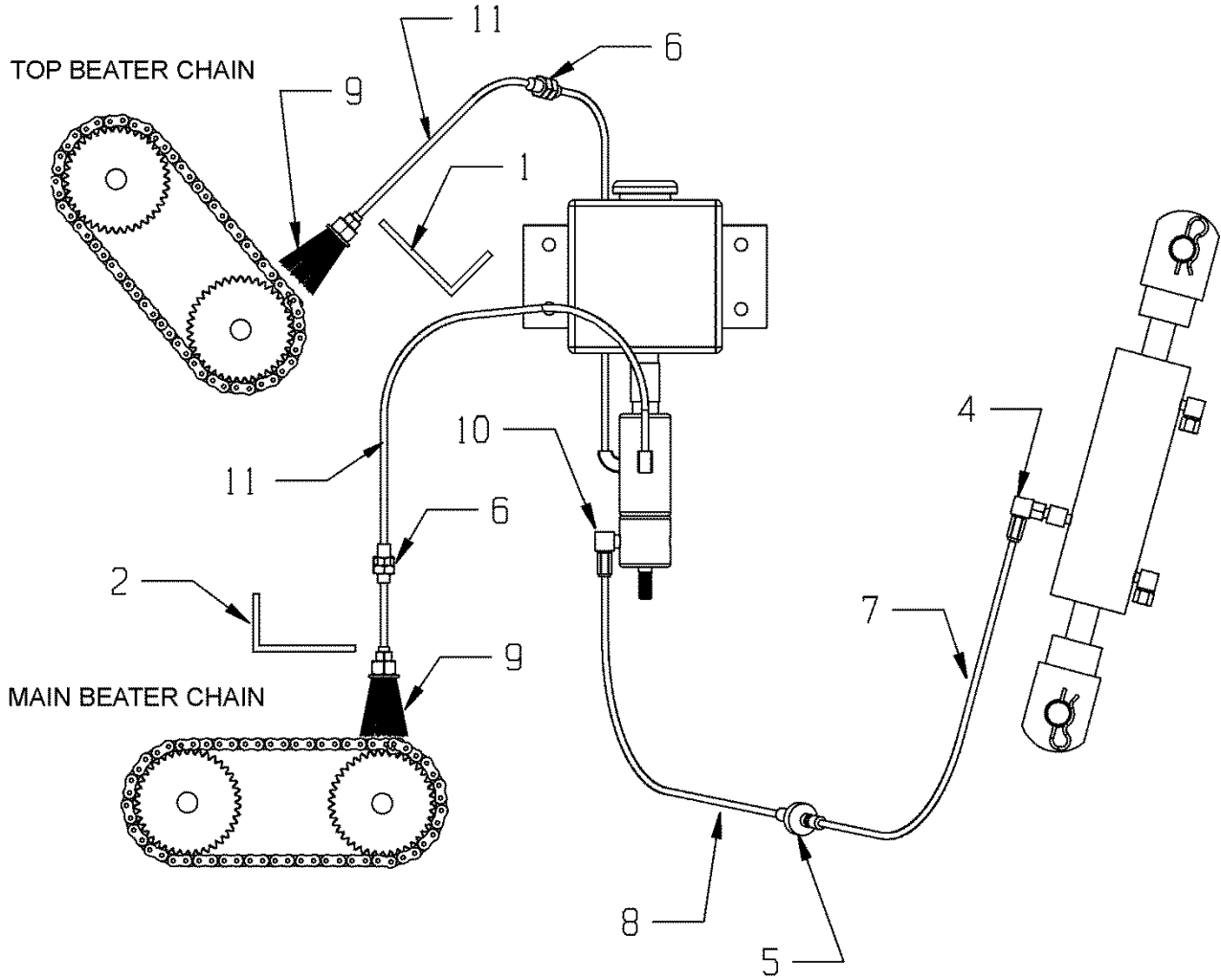
OPTIONAL TRACTOR LEVER OPERATED HYDRAULIC APRON

Models 3600/3750

KEY	PART NO.	QTY	DESCRIPTION
1	E21456-06	1	VALVE CONTROLLED FLOW BG-511.5-12SAE
2	E21450	1	ADAPTER 6400-8-12 O-RING
3	E21449	2	O-RING TO JIC 90 DEGREE ADAPTER 6801-8-12
4	E00483-09	2	CAP FOR CONVERTING TO OPEN CENTER SYSTEM 304-C-8
5	E00485-09	1	ADAPTER TEE 6602-8
6	E00486-09	1	BULKHEAD 2701-LN-8
7	E00495-09	1	ADAPTER 6402-8-8
8	E00496-09	1	LINE CHECK LT-8-O
9	E01591	2	QUICK COUPLER 8010-4P
10	E00490-09	1	HOSE HYDRAULIC -FLOW 8M3K-8G-8MP-8G-8FJX45-132"
11	E21450-09	1	HOSE HYDRAULIC -TANK 8M3K-8G-8MP-8G-8FJX -132"
12	E00074	1	BRACKRT FOR BULKHED
13	E00498-09	1	HOSE FLOW LINE 8M3K-8G-8FJX90S-8G-8FJX -272"
14	E00495-09	1	HOSE TANK LINE 8M3K-8G-8FJX90S-8G-8FJX - 282"
15	E00509-VB	1	MOTOR, HYD, VB 2-BOLT W/RELIEF 1170 psi
16	E00494	6	1/2" Hose Bracket
17	E00484-00	2	Adapter JIC to O-Ring 6400-8-10

CHAIN OILING KIT

Models 3600/3750



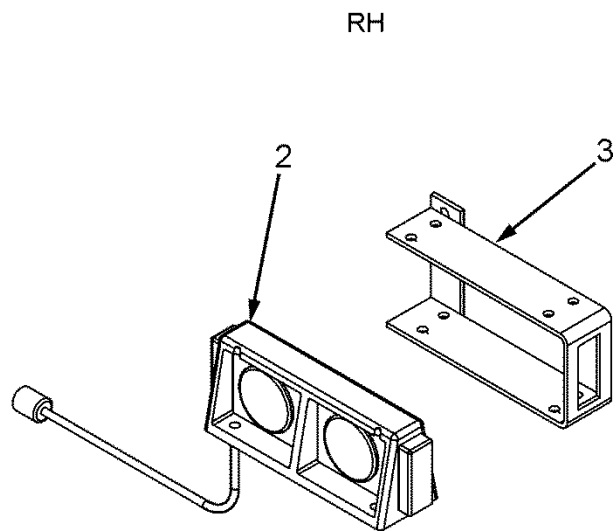
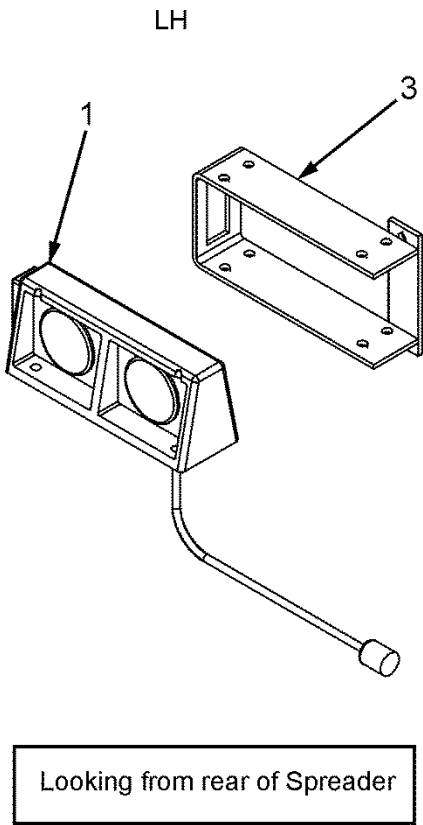
3600-3750-ChainOilingKit.cdr

CHAIN OILING KIT

Models 3600/3750

KEY	PART NO.	QTY. 3600	QTY 3750	DESCRIPTION
1	E24142	1	1	Mounting Bracket, Top Beater Chain
2	E24143	1	1	Mounting Bracket, Main Beater Chain
4	E24145	1	1	Elbow, Swivel 3/8" O-Ring 6801-6-8
5	E24146	1	1	Quick Coupler 4000-2P
6	E24147	2	2	Panel Mount Coupling
7	E24148	1	1	Hose Assembly Cylinder 4M3K-6FJX-4MP 50"
8	E24149	1	1	Hose Assembly Actuator 4M3K-4FJX-4MP 24"
9	E24150	2	2	Brush, Oil
10	E24151	1	1	Adapter 90° Male JIC to Male O-Ring 6801-4-4
11		1	1	Nylon Hose, Order By The Foot

STANDARD HIGHWAY LIGHTING WITH AMBER SIDE LIGHT



KEY	PART NO.	QTY	DESCRIPTION
1	54209-006	1	Dual Light LH w/4-Plug
2	54209-020	1	Dual Light RH w/4-Plug
3	3465-VB750-11	2	Bracket, Light
	002430		Harness With 7 Pin Plug And 4-Flat, 30'
	002515		Rear Wishbone Harness, 15'
	802651		Red Lens
	802650		Amber Lens

This Page Intentionally Blank.

This Page Intentionally Blank.

This Page Intentionally Blank.

LIMITED WARRANTY STATEMENT

Meyer's Equipment Mfg. Corp. warrants each new Meyer's E.M.C. product to be free from: defects in material and workmanship. This warranty is applicable only for the normal service life expectancy of the product or components, not to exceed 12 consecutive months from the date of delivery of the new Meyer's E.M.C. product to the original purchaser.

Genuine Meyer's E.M.C. replacement parts and components will be warranted for 365 days from date of purchase, or the remainder of the original equipment warranty period, whichever is longer.

Under no circumstances will it cover any merchandise or components thereof, which, in the opinion of the company, has been subjected to misuse, unauthorized modifications, alteration, and accident or if repairs have been made with parts other than those obtainable through Meyer's E.M.C.

Our obligation under this warranty shall be limited to repairing or replacing, free of charge to the original purchaser, any part that, in our judgment, shall show evidence of such defect, provided further that such part shall be returned within thirty (30) days from date of failure to Meyer's E.M.C., routed through the dealer and distributor from whom the purchase was made, transportation charges prepaid. Labor charges will be paid at a specified rate. Mileage will not be paid.

This warranty shall not be interpreted to render Meyer's E.M.C. liable for injury or damages of any kind or nature to person or property. This warranty does not extend to the loss of crops, loss because of delay in harvesting, or any expense or loss incurred for labor, substitute machinery, rental or for any other reason.

In addition to the above limited warranty statement the following applies:

Meyer's E.M.C. will replace (F.O.B. Dorchester) as Meyer's E.M.C. elects, for 10 years from purchase date - any polyethylene plastic boards which compromises the floor, sides, rear or front of the box portion of the manure spreader box (not labor) from rotting under normal usage to the original owner.

Except as set forth above, **Meyer's E.M.C. shall have no obligation or liability of any kind on account of any of its equipment and shall not be liable for special or consequential damages. Meyer's E.M.C. disclaims any implied warranty or merchantability or fitness for a particular purpose. Some states or provinces do not permit limitations or exclusions of implied warranties or incidental or consequential damages, so the limitations or exclusion in this warranty may not apply.**