

MEYER'S

HEAVY DUTY MANURE SPREADERS

MODELS: 125A, 160A & 225A



DO NOT operate this Spreader until you have read this book

NEVER repair or clean this Spreader while PTO is engaged




Manufactured in DORCHESTER, WISCONSIN by

**MEYER'S
EQUIPMENT
MFG. CORP.**

INTRODUCTION

Congratulations on the purchase of your new Meyer's Manure Spreader. With its optional equipment this is the simplest, most flexible system on the market today. With proper operation and preventative maintenance it will last for years.

 This **SAFETY ALERT SYMBOL** means **ATTENTION! BE CAREFUL! YOUR SAFETY IS INVOLVED!** It stresses an attitude of **HEADS UP FOR SAFETY**. When you see this symbol, be alert to the possibility of **PERSONAL INJURY** and carefully read the message that follows.

WARNING:

NEVER OPERATE WITHOUT ALL COVERS, SHIELDS AND GUARDS IN PLACE. KEEP HANDS, FEET AND CLOTHING AWAY FROM MOVING PARTS. SOME COVERS AND GUARDS HAVE BEEN REMOVED FOR ILLUSTRATIVE PURPOSES ONLY IN THIS MANUAL. FAILURE TO HEED MAY RESULT IN SERIOUS PERSONAL INJURY OR DEATH.

At the front of this manual is a Product Registration and Inspection Certificate. Be sure your dealer has completed this certificate and forwarded a copy to the manufacturer to validate the manufacturer's warranty. The product model and serial number are recorded on this certificate for your convenience and for proper identification of your spreader by your dealer and the manufacturer when ordering repair parts.

The serial number plate is found on the upper left front corner of the spreader box or stamped in the left channel at the front. For information on ordering repair parts, refer to the repair parts section of this manual. Orders must list the complete description, correct part number, and total amount required.

All references to right hand and left hand apply to the product as viewed from the rear of the machine and facing the direction of forward travel.

You are urged to study this manual and follow the instructions carefully. Your efforts will be repaid in better operation and service as well as a savings in time and repair expense. Failure to read this manual and understand the machine could lead to serious injury. If you do not understand instructions in this manual, contact either your dealer or Meyer's Equipment Manufacturing Corp. at Dorchester, WI 54425.


This supercedes all previous published instructions


TABLE OF CONTENTS


INTRODUCTION	2
SAFETY	4
MANURE SPREADER SAFETY	8
MANDATORY SAFETY SHUTDOWN PROCEDURE	9
PRE-OPERATION	10
GENERAL	10
TRACTOR HOOKUP	10
TRACTOR HYDRAULIC SYSTEM	11
TRANSPORTING	11
OPERATION	13
LOADING	13
UNLOADING	13
MANDATORY SAFETY SHUTDOWN PROCEDURE	14
MAINTENANCE, LUBRICATION & ADJUSTMENTS	15
CLEANING AND STORAGE	15
SHEAR PIN HUBS	15
ADJUSTMENT	15
APRON CHAIN	15
LUBRICATION	18
REPAIR PARTS	20
LIMITED WARRANTY STATEMENT	40

SAFETY

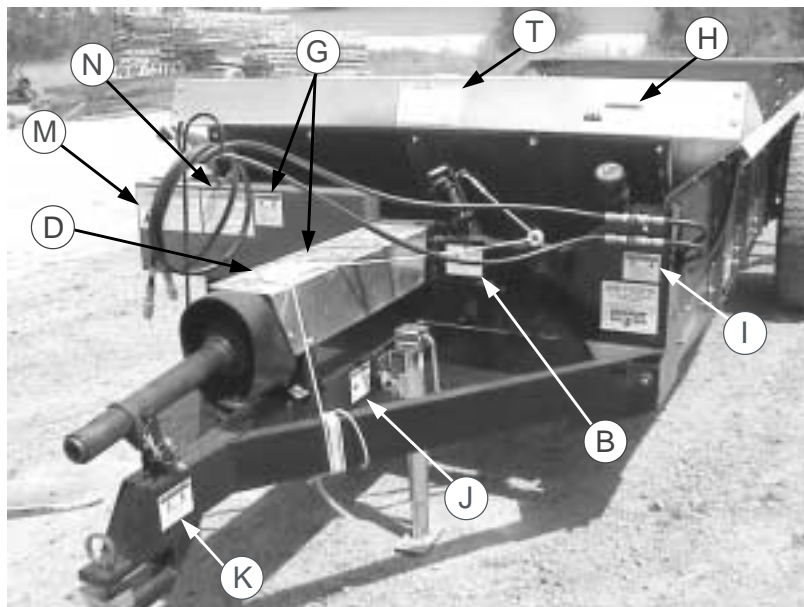
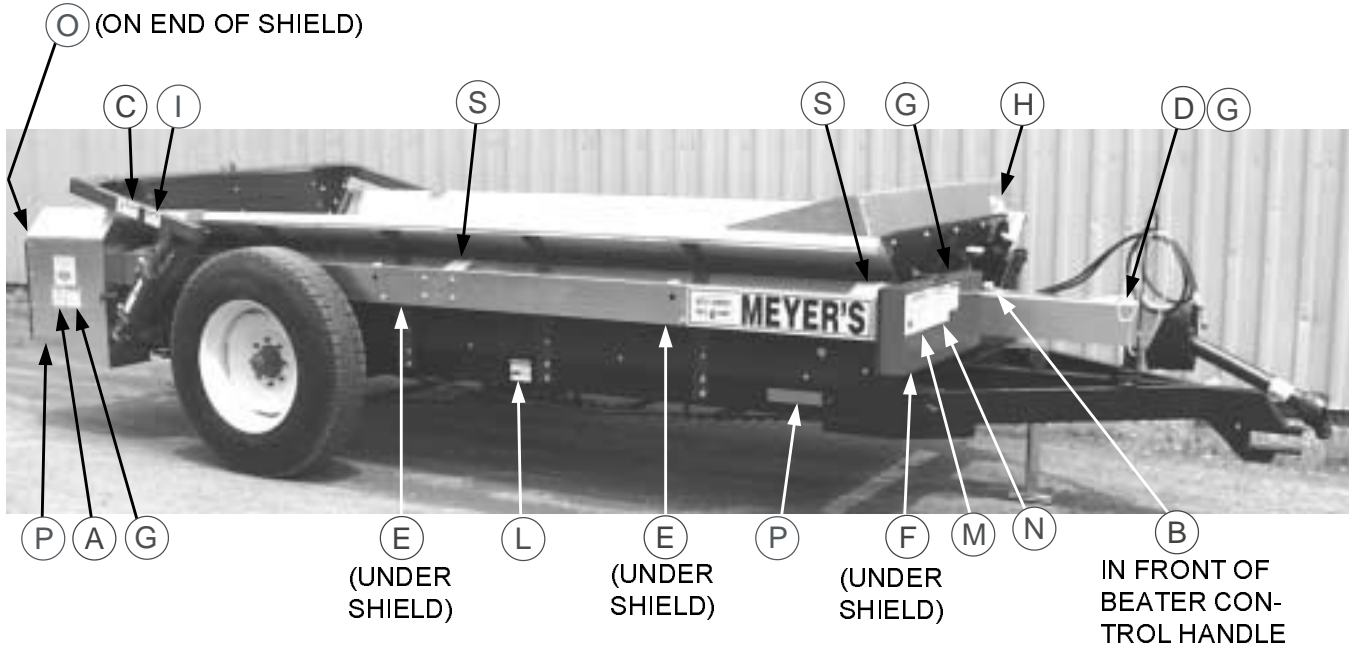
A brief definition of signal words that may be used in this manual:


 DANGER: Indicates an imminently hazardous situation that, if not avoided, will result in serious injury or death.

 WARNING: Indicates a potentially hazardous situation that, if not avoided, could result in death or serious injury, and includes hazards that are exposed when guards are removed.

 CAUTION: Indicates a potentially hazardous situation that, if not avoided, may result in minor or moderate injury.

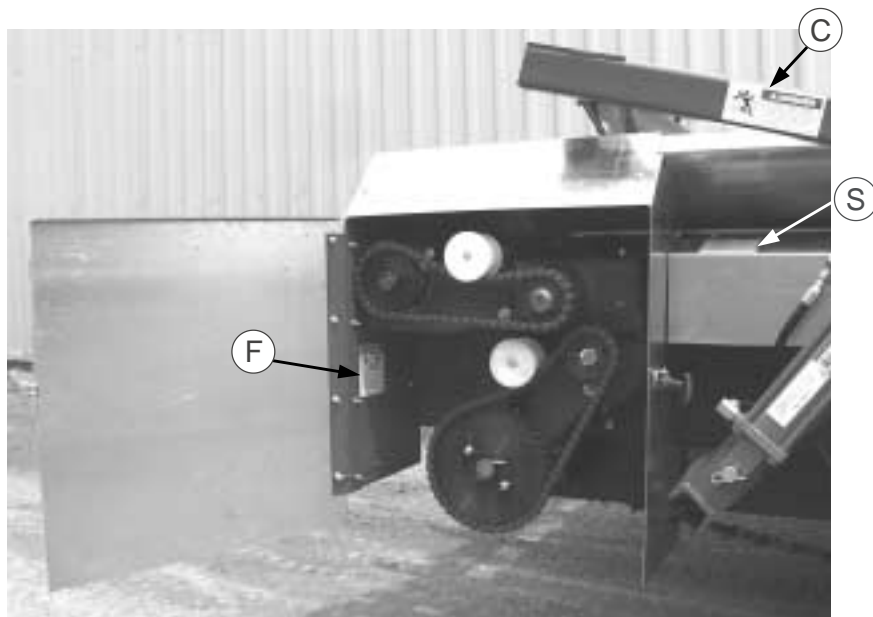
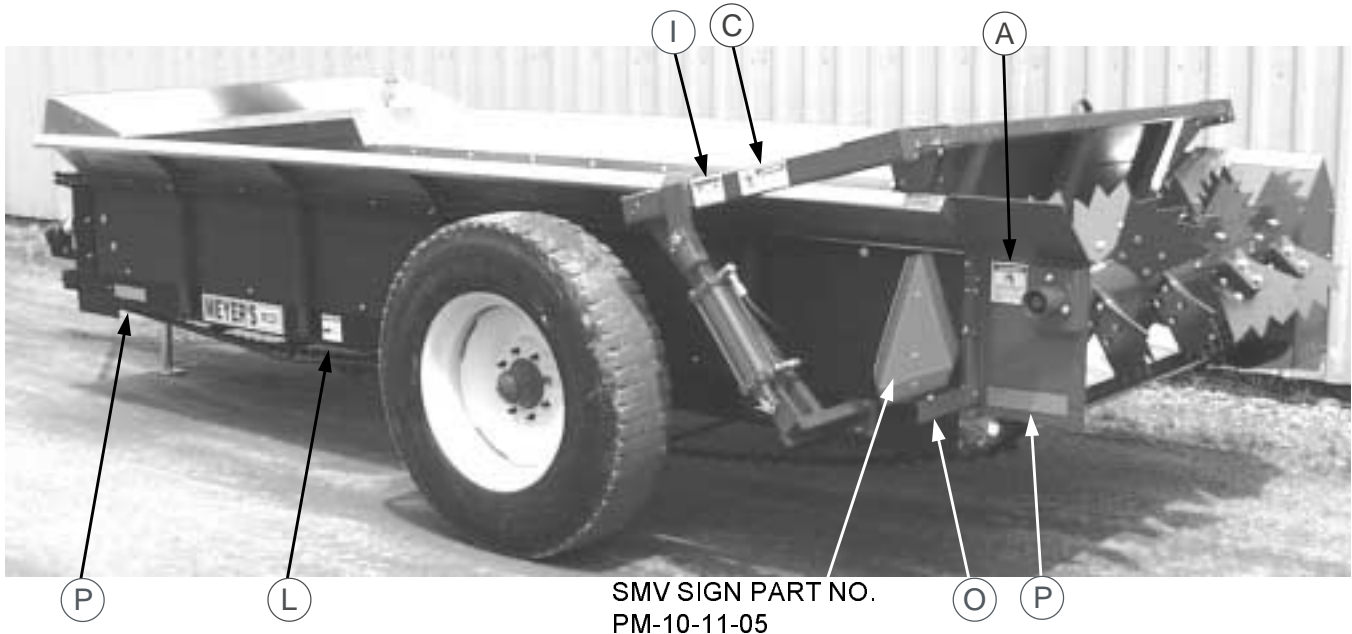
SEE PAGES 6 AND 7 FOR DECALS




 CAUTION: IF ANY SAFETY DECAL BECOMES UNREADABLE FOR ANY REASON, THE DECAL MUST BE REPLACED WITH A NEW DECAL. IF THE SPREADER IS REPAINTED, ALL SAFETY DECALS MUST BE REPLACED. CONTACT YOUR DEALER OR MEYER'S EQUIPMENT MANUFACTURING CORP. IF YOU REQUIRE ANY SHIELD OR DECALS FOR REPLACEMENT.

SAFETY

SEE PAGES 6 AND 7 FOR DECALS



 CAUTION: IF ANY SAFETY DECAL BECOMES UNREADABLE FOR ANY REASON, THE DECAL MUST BE REPLACED WITH A NEW DECAL. IF THE SPREADER IS REPAINTED, ALL SAFETY DECALS MUST BE REPLACED. CONTACT YOUR DEALER OR MEYER'S EQUIPMENT MANUFACTURING CORP. IF YOU REQUIRE ANY SHIELD OR DECALS FOR REPLACEMENT.

SAFETY SIGNS

⚠ DANGER

ROTATING BEATER HAZARD
To prevent serious injury or death by entanglement:

- Do not clean, stand in, or climb on machine when operating.
- Place controls in neutral, stop engine, set park brake, remove ignition key and wait for all moving parts to stop before cleaning, servicing, adjusting, repairing or unplugging.

3000

DECAL A. PART NO. 3000

⚠ DANGER

STAY CLEAR OF BEATER IF TRACTOR OR PTO IS RUNNING. BEATER SHUT OFF COULD ACCIDENTALLY BE ENGAGED.

FAILURE TO HEED THIS WARNING MAY RESULT IN PERSONAL INJURY OR DEATH.

KEEP CLOTHING, YOURSELF AND OTHERS WELL CLEAR.

3007

DECAL B. PART NO. 3007

⚠ DANGER

HYDRAULIC ENDGATE HAZARD
To prevent serious injury or death from crushing:

- Stand clear to avoid being struck by endgate arms.
- Do not stand or climb on machine when operating.
- Stay away from beneath the endgate and gate arms when they are in the raised position or are being lowered.

3001

DECAL C. PART NO. 3001

⚠ DANGER

ROTATING DRIVELINE HAZARD
To prevent serious injury or death from rotating driveline:

- Keep all guards in place when operating.
- Operate only at 540 RPM.
- Keep hands, feet, hair and clothing away from moving parts.

SW104

DECAL D. PART NO. SW104

⚠ DANGER

SHIELD MISSING DO NOT OPERATE

⚠ DANGER

SHIELD MISSING DO NOT OPERATE

⚠ DANGER

SHIELD MISSING DO NOT OPERATE

SW102

DECAL E. PART NO. SW102

⚠ DANGER

SHIELD MISSING DO NOT OPERATE
To prevent serious injury or death from moving parts:

- Close and secure guards and shields before starting.
- Keep hands, feet, hair and clothing away from moving parts.
- Disconnect and lockout power source before adjusting or servicing.
- Do not stand or climb on machine when operating.

SW404-1

DECAL F. PART NO. SW404-1

⚠ WARNING

MOVING PART HAZARD
To prevent serious injury or death from moving parts:

- Close and secure guards and shields before starting.
- Keep hand, feet, hair and clothing away from moving parts.
- Disconnect and lockout power source before adjusting or servicing.
- Do not stand or climb on machine when operating.

SW404

DECAL G. PART NO. SW404

⚠ WARNING

TO PREVENT SERIOUS INJURY OR DEATH

- AVOID unsafe operation or maintenance.
- DO NOT start, operate, or work on this machine without first carefully reading and thoroughly understanding the entire contents of the operators manual. (Require the same of all personnel who will operate this machine.)
- If operators manual is lost, contact your nearest Meyer's Dealership or write or call: MEYER'S EQUIPMENT MFG., CORP. P.O. Box 406 • Dorchester, WI 54425 Phone 1-800-783-1536

Please give your name, address, model and serial number of your machine. A manual will be furnished.

- If you have any questions about operation or adjustments, and maintenance of this machine, contact your Meyer's Dealership or Meyer's Equipment Mfg. Corp. before starting or continuing the operation of this machine.

3006

DECAL H. PART NO. 3006

⚠ WARNING

HIGH-PRESSURE FLUID HAZARD
To prevent serious injury or death:

- Relieve pressure on system before repairing or adjusting or disconnecting.
- Wear proper hand and eye protection when searching for leaks. Use wood or cardboard instead of hands.
- Keep all components in good repair.

SW700

DECAL I. PART NO. 700

⚠ WARNING

CRUSHING HAZARD
Support jack is NOT intended to support a loaded spreader box, mechanical damage to the jack and/or its support may result.

3003

DECAL J. PART NO. 3003

⚠ CAUTION: IF ANY SAFETY DECAL BECOMES UNREADABLE FOR ANY REASON, THE DECAL MUST BE REPLACED WITH A NEW DECAL. IF THE SPREADER IS REPAINTED, ALL SAFETY DECALS MUST BE REPLACED. CONTACT YOUR DEALER OR MEYER'S EQUIPMENT MANUFACTURING CORP. IF YOU REQUIRE ANY SHIELD OR DECALS FOR REPLACEMENT.

▲ SAFETY SIGNS

▲ WARNING	
CRUSHING HAZARD	
<p>To prevent serious injury or death:</p> <ul style="list-style-type: none"> • Keep hands and body out of hitch area when attaching towing vehicle. • Keep body clear of crush point between towing vehicle and load. 	
DECAL K. PART NO. 3004	

▲ CAUTION	
	<p>Moving Apron Pinch Point</p> <p>Keep hands away and disconnect PTO before servicing.</p>
<small>3002</small>	
DECAL L. PART NO. 3002	

▲ CAUTION	
SAFETY FIRST. DO NOT OPERATE SPREADER WITHOUT READING THIS SAFETY SIGN	
<p>Equipment Mfg. Corp. always takes the operator's safety into consideration when designing farm machinery by covering exposed moving parts for protection; however, some areas cannot be guarded or shielded in order to assure proper operation. This safety alert symbol indicates a hazard.</p>	<p>It stresses an attitude of HEADS UP FOR SAFETY. Also read all other decals as they are also safety warnings.</p> <ul style="list-style-type: none"> — Remember, the careful operator is the best operator. Most accidents are caused by human error. Certain precautions must be observed to prevent the possibility of injury or damage. — If the machine needs any attention, disengage the power take-off, stop the tractor engine and allow all mechanisms to stop before cleaning or adjusting. — Read the ▲ HEADS UP Rules before you operate equipment. — DO NOT allow persons other than the authorized adult operator near the machine. — DO NOT clean, adjust or lubricate the machine when any part is in operation. — DO NOT go near the spreader beater while tractor PTO is in motion. — Keep hands, feet, clothing and hair away from all moving parts when machine is in operation. — Loose or floppy clothing should not be worn by the operator. — PTO shield must rotate freely and be in place. — Avoid making short turns while machine is operating. This could cause serious accident or breakage. — Please keep all decals clean so they are legible. Make sure all shields are in good condition. — If any shield or decal should need replacement, contact your local dealer or our plant in Doncaster, Wis. — Always use GENUINE MEYER'S replacement parts.
ATTENTION! BE CAREFUL! YOUR SAFETY IS INVOLVED!	
<small>SW2001</small>	
DECAL M. PART NO. SW2001	

▲ CAUTION	
Moving parts hazard- To avoid injury or death:	
<ol style="list-style-type: none"> 1. Keep all shields in place. 2. Stop engine before leaving operator's position to adjust, lubricate, clean or unclog machines, unless otherwise specifically recommended in the "Operator's Manual". 3. Wait for all movement to stop before servicing the machine. 4. Keep hands, feet and clothing away from power driven parts. 5. Keep off equipment unless seat or platform for operation and observation is provided. 6. Keep all others off. 7. Use flashing warning lights when operating on highways except when prohibited by law. 8. Make certain everyone is clear of machine before starting engine or operation. 	
<small>SW2002</small>	
DECAL N. PART NO. SW2000	

DECAL O. REFLECTIVE TAPE-RED PART NO. PM17-5915

DECAL P. REFLECTIVE TAPE-YELLOW PART NO. PM17-5910

GREASE AXLE
<small>3008</small>
DECAL R. PART NO. 3008

▲ WARNING	
MOVING PART HAZARD	
<p>To prevent serious injury or death from moving parts:</p> <ul style="list-style-type: none"> • Close and secure guards and shields before starting. • Keep hand, feet, hair and clothing away from moving parts. • Disconnect and lockout power source before adjusting or servicing. • Do not stand or climb on machine when operating. 	
<small>SW406</small>	
DECAL S. PART NO. SW406	

START UP PROCEDURE	
<ol style="list-style-type: none"> 1. Engage beater clutch lever to the left or counter clockwise position before starting engine. 2. Make certain everyone is clear of machine before starting engine or operation. 3. RAISE END GATE. 4. Engage P.T.O. 	
<small>3013</small>	
DECAL T. PART NO. 3013	

▲ CAUTION: IF ANY SAFETY DECAL BECOMES UNREADABLE FOR ANY REASON, THE DECAL MUST BE REPLACED WITH A NEW DECAL. IF THE SPREADER IS REPAINTED, ALL SAFETY DECALS MUST BE REPLACED. CONTACT YOUR DEALER OR MEYER'S EQUIPMENT MANUFACTURING CORP. IF YOU REQUIRE ANY SHIELD OR DECALS FOR REPLACEMENT.

⚠ MANURE SPREADER SAFETY

THERE ARE INHERENT HAZARDS ASSOCIATED WITH THE OPERATION OF A MANURE SPREADER.

FOR YOUR SAFETY:

- Never Enter Spreader Box While In Operation For Any Reason.
- Only Properly Instructed People Should Operate The Spreader. Do Not Allow Children Or Inexperienced Persons To Operate Spreader.
- Keep All Guards And Shields In Place. Moving Parts Can Crush And Dismember.
- Clear The Area Before Equipment Start Up.
- Keep Hands, Feet, And Loose Clothing Away From Moving Parts.
- Do Not Go Near The Spreader Beaters While Machine Is Operating.
- It Is Not Safe To Clean Or Service The Spreader With Power Operating. Pulling On The Beater Clutch Rope Does Not Shut Off Power To The Spreader.
- Make Sure The PTO Is Securely Locked To Both The Tractor And Spreader Before Operating The Unit.
- Do Not Operate The PTO At Speeds Higher Than The Manufacturers Recommendations.
- Highway Traffic Is Not To Exceed 20 Mph. The Tires Supplied Are For Farm Use Only And Are Not Designed For Use Above This Speed.
- Use Adequate Safety Chains When Towing The Spreader.
- The Use Of A Slow moving Vehicle Sign Is Required On All Public Roads. Obey All Applicable Highway Safety Laws And Rules.
- Always Use A Tractor Large Enough To Provide Sufficient Braking Assistance When Towing A Loaded Spreader.
- Use Caution When Traveling Over Uneven Terrain And When Approaching Stops.
- Do Not Load The Spreader Unless It Is Hitched To The Tractor.
- Do Not Unhitch A Loaded Spreader From The Tractor Leaving It Supported By Only The Jack.
- Park Your Spreader On Level Ground And Place Blocks Ahead Of And Behind The Wheels Before Unhooking From Tractor To Avoid Unexpected Rolling When Separated From The Tractor.

FAILURE TO HEED MAY RESULT IN SERIOUS PERSONAL INJURY OR DEATH

THERE ARE ADDITIONAL HAZARDS ASSOCIATED WITH THE SERVICE AND MAINTENANCE OF YOUR SPREADER.

FOR YOUR SAFETY:

- Inspect When First Delivered And Regularly Thereafter; That All Connections And Bolts Are Tight And Secure Before Operating.
- Retighten All Wheel Bolts After The First Hour Of Towing. Check Periodically Thereafter. See Maintenance, Wheels.
- Maintain Proper Tire Air Pressure At All Times. See Maintenance, Tires.
- Always Wear Eye Protection When Operating Or Servicing Spreader.
- Be Sure All Movement Has Stopped, The PTO Is Disconnected, The Tractor Is Shut Off And The Ignition Key Is Removed Before Servicing The Spreader Or Components.
- Escaping Hydraulic Fluid Under Pressure Can Penetrate The Skin And Cause Serious Injury. Relieve All Pressure From The Hydraulic System Before Connecting Or Disconnecting The Lines Or Making Repairs. Check All Hoses And Fittings Before Start-up And Periodically During Operation.
- Never Make Any Alterations Or Modifications To This Equipment.

FAILURE TO HEED MAY RESULT IN SERIOUS PERSONAL INJURY OR DEATH

▲ MANDATORY SAFETY SHUTDOWN PROCEDURE

BEFORE unclogging, cleaning, adjusting, lubricating or servicing the unit:

1. Disengage the tractor PTO.
2. Shut off the tractor engine, remove the ignition key and take it with you.
3. Wait for all movement to stop.
4. Remove the Telescoping PTO Drive and ALL power connections from the tractor.

ONLY when you have taken these precautions can you be sure it is safe to proceed. Failure to follow the above procedure could lead to death or serious bodily injury.

Most farm accidents, like industrial, home and high-way accidents, are caused by the failure of some individuals to observe simple and fundamental safety rules or precautions. For this reason, farm accidents, just as other types of accidents, can be prevented by recognizing the causes of accidents and doing something about them before an accident occurs.

Regardless of the care used in the design and construction of farm equipment, there are many points that cannot be completely safe-guarded without interfering with accessibility and efficient operation.

A careful operator is the best insurance against an accident.

The complete observance of one simple rule would prevent many thousand serious injuries each year. That rule is "NEVER ATTEMPT TO CLEAN, OIL, OR ADJUST A MACHINE WHILE IN MOTION".

NATIONAL SAFETY COUNCIL

BEFORE ATTEMPTING TO OPERATE YOUR NEW SPREADER BE SURE TO READ THIS OWNERS MANUAL AND FAMILIARIZE YOURSELF WITH THE MACHINE!! OBSERVE THE PRECAUTIONS IN THIS MANUAL FOR SAFE OPERATION OF THIS MACHINE!!

PRE-OPERATION

GENERAL

Read the entire Owners Manual before attempting to operate this manure spreader. Before attempting any maintenance or repairs; always be sure all rotating parts have stopped and that the tractor is shut off, disconnect the PTO, relieve all hydraulic pressure and disconnect hydraulic hoses.

⚠️ WARNING

NEVER OPERATE SPREADER WITH ANY GUARDS OR SHIELDS REMOVED. FAILURE TO HEED MAY RESULT IN SERIOUS PERSONAL INJURY OR DEATH.

1. Completely lubricate the unit as described in the LUBRICATION Section.
2. Check and tighten the wheel lug nuts if required.
3. Check and maintain the tire pressure according to the manufacturer's recommendation.
4. Check the entire unit for loose bolts, damaged or loose hydraulic fittings and hoses or other damaged parts.
5. The tractor half of the PTO drive shaft assembly must be locked securely to the tractor output shaft.

TRACTOR HOOKUP

Tractor Requirements:

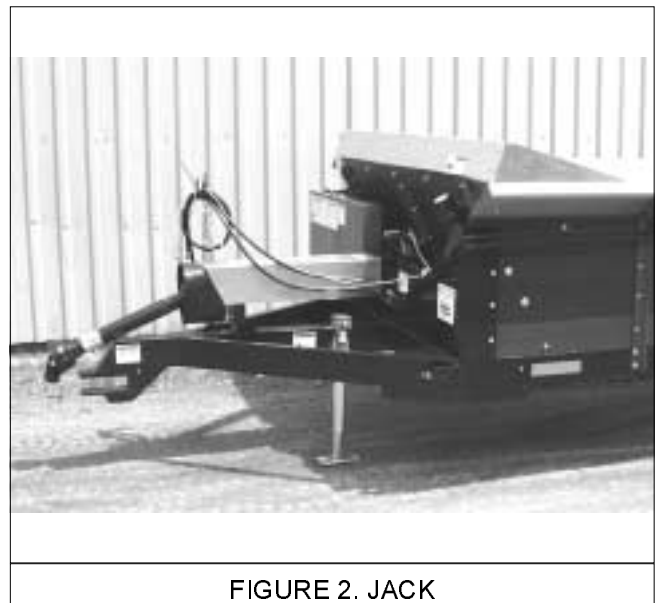
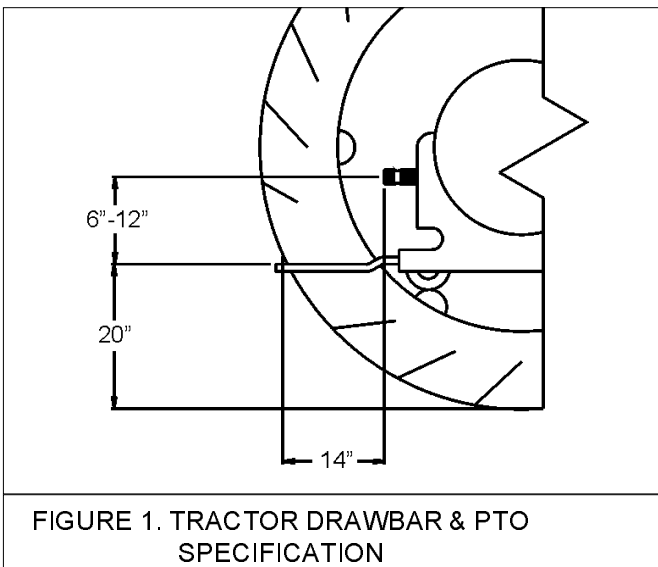
The spreader is designed to be operated by a 540 RPM PTO tractor output.

The PTO drive shaft assembly is designed to operate with tractors conforming to the industry standard shown on figure 1 for 540 RPM PTO output.

Tractor Size

The spreader does not have brakes. Towing the spreader must be done safely. The (American Society of Agricultural Engineers) specifies that the towing vehicle should weigh at least 2/3 as much as the loaded implement to be reasonably safe towing at speeds up to 20 mph. This (20 mph) is also the maximum recommended towing speed for the spreader.

The loaded weight of your spreader will naturally vary with the moisture of the manure and you must consider that for your conditions. The loaded weight capacities as specified by the spreader manufacturer are as follows:



Tractor Towing Size Requirements:

Use the following chart for calculating the minimum tractor weight.

MODEL (struck level)	SPREADER EMPTY WEIGHT + LOAD = GW	MINIMUM TRAC- TOR WEIGHT UP TO 20 MPH
125A (67 cu ft)	1910+ _____ = _____	2/3 of spreader gross weight
160A (105 cu ft)	2050+ _____ = _____	2/3 of spreader gross weight
225A (132 cu ft)	2940+ _____ = _____	2/3 of spreader gross weight

Material Estimated Weight Per Cubic Foot

Material	lbs / Cu. Ft.
Lime Sludge	110-115 LBS.
Dry Feedlot Manure	63-65 LBS.
Chicken Litter	63-65 LBS.
Cake Sludge	62-65 LBS.
Semi-Solid Manure	58-60 LBS.
Pen Packed Manure	30-35 LBS.
Liquid Manure	63-65 LBS.

SOURCE: ASAE

NOTE: HEAPED LOADS HAVE SIGNIFICANTLY HIGHER CAPACITIES RESULTING IN INCREASED WEIGHT AND HIGHER CENTER OF GRAVITY, REQUIRING EXTRA PRECAUTION DURING OPERATION.

Tractor Hookup

1. Hook the spreader hitch to the tractor drawbar with secured hitch pin conforming to the pin hole size in the spreader hitch.
2. Raise the jack off the ground. Remove the jack hub pin and rotate the jack to horizontal storage position and secure with the pin, figure 2.
3. Connect the PTO drive shaft to the tractor PTO output shaft and be sure it is locked to the tractor shaft.
4. Tie the rope from the beater clutch to a convenient place for operation from the tractor seat.
5. If your spreader has an optional fine spread pan, tie the rope control to a convenient place for operation from the tractor seat.

TRACTOR HYDRAULIC SYSTEM

If your spreader is equipped with an optional hydraulic end gate then you will require one set of hydraulic ports on the tractor, to which you connect the supply and return hoses to the end gate cylinders.

TRANSPORTING

Check for traffic constantly. Be sure you can see that no one is attempting to pass you and that all traffic is sufficiently clear from you before making any turns.

WARNING

BE SURE THE SLOW MOVING VEHICLE SIGN IS INSTALLED ON THE REAR OF THE SPREADER FOR TRANSPORTING ON ROADWAYS. KEEP THIS SIGN AND ALL REFLECTIVE DECALS CLEAN. FAILURE TO HEED MAY RESULT IN SERIOUS PERSONAL INJURY OR DEATH.

CAUTION

REGULARLY CLEAN OFF THE REFLECTIVE TAPE AT THE REAR AND SIDES OF THE SPREADER WHEN TRANSPORTING IT ON THE HIGHWAY.

WARNING

DO NOT TOW AT SPEEDS GREATER THAN 20 MPH. FAILURE TO HEED MAY RESULT IN SERIOUS PERSONAL INJURY OR DEATH.

Operating speed is dictated by the terrain over which you are traveling. Always use caution. Avoid traveling on slopes or hills that are unsafe. Also beware of slippery conditions such as traveling over areas previously spread with manure. If possible, avoid spreading over areas where manure has been previously applied.

If you will travel on public roadways and it is legal to do so, you must know all rules governing such operation. This will include lighting and brake requirements in addition to traffic rules. You may also be required to install a safety chain on the spreader.

Use Safety Chain:

CAUTION

A SAFETY CHAIN SHOULD BE INSTALLED TO RETAIN THE CONNECTION BETWEEN TRACTOR (OR OTHER TOWING VEHICLE) AND SPREADER WHENEVER TRAVELING ON PUBLIC ROADS. A SUGGESTED ATTACHMENT IS ILLUSTRATED ON FIGURE 3.

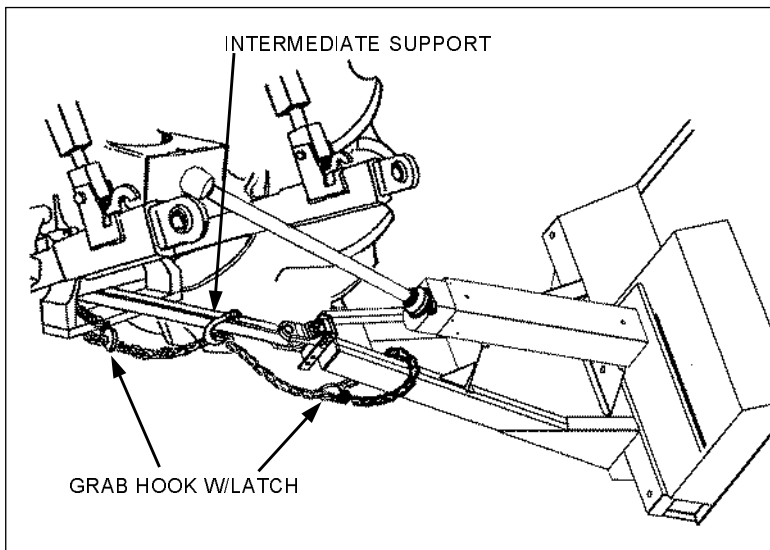


FIGURE 3. SUGGESTED SAFETY CHAIN INSTALLATION

The chain must be strong enough to hold the weight of the loaded spreader. If using a grab hook at the end(s) of the chain to secure the chain to itself, a hook latch must be installed.

The length of the safety chain is not to be any longer than necessary to turn without interference. If any chain links or attachment hardware are broken or stretched, repair before using. Store chain so it does not corrode or become damaged. Do not use this chain for other implements because the strength and length of chain may not be adequate. Identify this chain for use on this particular spreader.

Safety chain designed for this spreader can be ordered on page 22.

OPERATION

⚠ CAUTION

DO NOT USE JACK EXCEPT WHEN SPREADER IS EMPTY. JACK WILL NOT SUPPORT ADDED WEIGHT FROM LOAD. UNBALANCED WEIGHT MAY RESULT IN UNEXPECTED "TIP UP" OF THE SPREADER.

⚠ DANGER

NEVER ENTER THE SPREADER BOX FOR ANY REASON WITHOUT FIRST DISCONNECTING PTO SHAFT FROM TRACTOR. DO NOT ALLOW OTHERS IN THE BOX. ROTATING BEATER CAN DISMEMBER OR KILL.

LOADING

If you have an optional hydraulic end gate or fine spread pan be sure they are closed, figure 4. When the spreader is parked for loading, shift the tractor to neutral or park and set the brakes. The moisture content of the manure will determine how full the spreader can be loaded so that no manure spills out.

You will probably be able to load solid manure at least level with the top of the box while semi liquid and liquid slurries will have to be less than full in the spreader box.

NOTE: It is unlawful to allow slurry to splash or leak onto public roads.

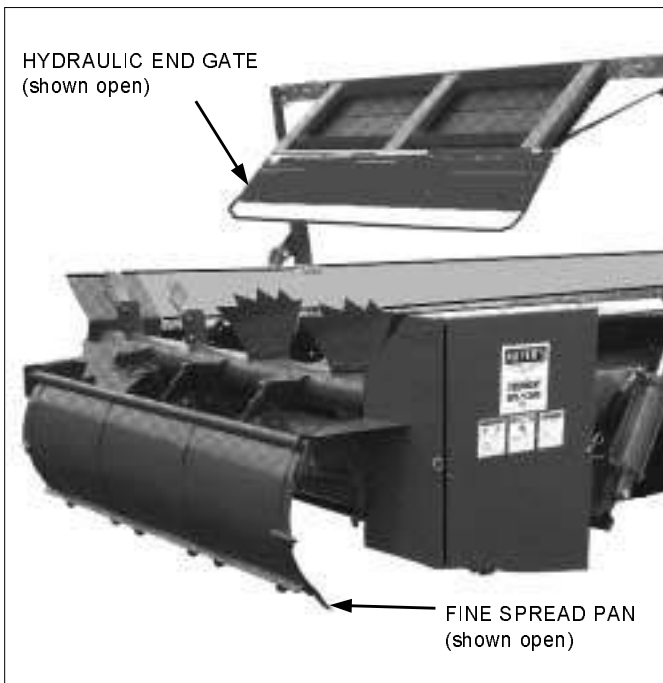


FIGURE 4. OPTIONAL END GATE & FINE SPREAD PAN



FIGURE 5. OPTIONAL HYDRAULIC END GATE, CLOSED

UNLOADING

⚠ WARNING

MAKE CERTAIN EVERYONE IS CLEAR OF EQUIPMENT BEFORE APPLYING POWER. FAILURE TO HEED MAY RESULT IN SERIOUS PERSONAL INJURY OR DEATH.

⚠ DANGER

KEEP AWAY AND KEEP OTHERS CLEAR OF ROTATING BEATERS AT REAR OF SPREADER. SERIOUS INJURY OR AMPUTATION COULD RESULT.

The rear beater has been designed and tested to provide the best spread pattern for most liquids and semi solid manure. However, the pattern will vary for each specific condition. The factors that contribute most to differing patterns will be moisture content and the amount and length of bedding material. For most typical conditions, the spread pattern should be uniform and about the width of the spreader. Plan your spreading patterns so you do not have to travel over previously spread manure which will be slippery, resulting in poor traction. Traction on wet grass is also poor. When the resulting pattern may require that you overlap during spreading, use precautions on slopes and hills where you will experience a loss of traction by traveling over ground with previously spread manure.

Perform the following operations when you are ready to begin spreading application on the field, depending on the options your spreader is equipped with.

Optional Hydraulic End Gate

Open the end gate with the tractor hydraulic control, figure 4, and slowly engage the tractor PTO clutch. This can be done while traveling forward to avoid a heavier application at the edge of the field than desired. The end gate must be completely open.

⚠ DANGER

IT IS NOT SAFE TO CLEAN OR SERVICE THE SPREADER WITH POWER OPERATING. PULLING ON THE BEATER CLUTCH ROPE DOES NOT SHUT OFF POWER TO THE SPREADER.

⚠ CAUTION

DO NOT OPERATE BED CHAIN WITHOUT RAISING END GATE FIRST. FAILURE TO HEED MAY RESULT IN EQUIPMENT DAMAGE.

Once the end gate has been fully opened bring the PTO up to speed and start application onto the field.

Optional Fine Spread Pan

If the pan is left closed, the spread pattern will be thinner, more even, and narrower than normal. If normal spreading is desired, trip the pan by pulling the rope control immediately after beginning the spread application, figure 4.

Control of the application rate is possible by the relationship of tractor engine speed to ground speed (transmission gear selection). For optimum trouble free performance it is recommended to operate at or near engine PTO speed and select the appropriate transmission gear for the spread rate desired.

Use Of The Beater Clutch

When the spreader is unloaded, or when the manure level is below the beater, it is possible to stop the beater by pulling the rope connected to the beater clutch. This allows the spreader apron to continue without the beaters running for cleanout, figure 6.

When the spreader is empty, stop the PTO so there is no chain slat under the hydraulic end gate if so equipped, figure 5. Then close the end gate.

Park the spreader, set tractor parking brake, and turn off all power. If the beater clutch was disengaged, re-engage it by pulling up on the "L" pin, figure 6, and rotate the lever back to the vertical detent. If the fine spread pan was tripped, shut it by pulling it back to the closed position where it will latch in place. The spreader will now be ready for the next load.

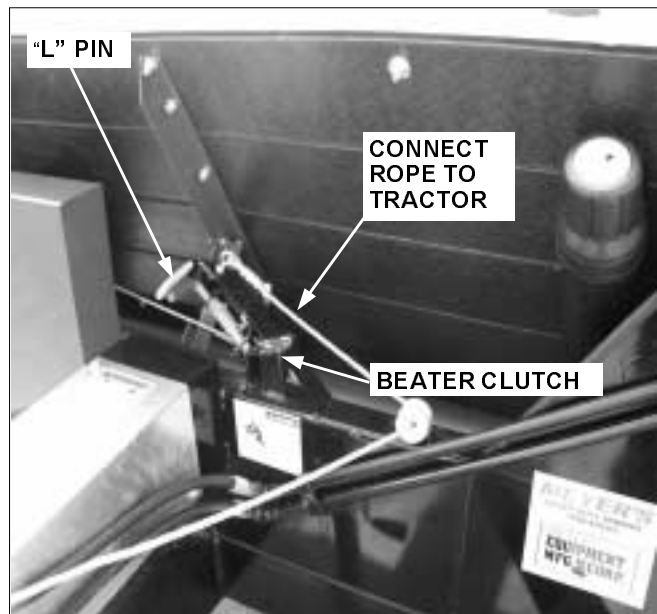


FIGURE 6. BEATER CLUTCH

⚠ MANDATORY SAFETY SHUTDOWN PROCEDURE

BEFORE unlogging, cleaning, adjusting, lubricating or servicing the unit:

1. Disengage the tractor PTO.
2. Shut off the tractor engine, remove the ignition key and take it with you.
3. Wait for all movement to stop.
4. Remove the Telescoping PTO Drive and ALL power connections from the tractor.

ONLY when you have taken these precautions can you be sure it is safe to proceed. Failure to follow the above procedure could lead to death or serious bodily injury.

MAINTENANCE, LUBRICATION & ADJUSTMENTS

WARNING

DISCONNECT PTO DRIVE SHAFT AND HYDRAULIC HOSES BEFORE CLEANING, ADJUSTING OR SERVICING THIS MACHINE. FAILURE TO HEED MAY RESULT IN SERIOUS PERSONAL INJURY OR DEATH.

DANGER

IT IS NOT SAFE TO CLEAN OR SERVICE THE SPREADER WITH POWER OPERATING. PULLING ON THE BEATER CLUTCH ROPE DOES NOT SHUT OFF POWER TO THE SPREADER.

WHEELS: Check periodically. The wheel studs should be torqued to 170 foot pounds, in a crisscross manner.

TIRE PRESSURE:

22.5x8.25, recommended pressure 45-60 psi max.
W14Cx16.1, recommended pressure 36 psi max.

WARNING

NEVER INFLATE BEYOND RIM OR TIRE MANUFACTURER'S APPROVED PSI RATING. WHILE INFLATING, STAY OUT OF THE TRAJECTORY & STAND CLEAR OF TIRE/WHEEL ASSEMBLY. A TIRE BLOW OUT OR RIM/WHEEL FAILURE CAN CAUSE SERIOUS INJURY OR DEATH.

CLEANING AND STORAGE

Before storing this spreader for an extended period of time, perform the following:

1. Allow the spreader to completely clean out the last load.
2. Hose off all manure from the spreader, particularly getting the end gate and spread pan mechanisms clean. The water can be drained into your manure storage pit or if the optional gate is left closed, the water can be taken to the field and spread.

If pressure washing spreader, be careful not to wash directly on or close to bearing seals. The high pressure can destroy the seal and force water into the bearing causing it to rust and fail. Avoid pressure washing painted areas of the spreader too close with washer as the pressure can strip paint on scratched areas caused from scraping clean.

Manure is acidic and should not be left on painted areas for a long time because it will lift paint from metal. Unpainted metal will corrode causing holes to rust through metal guards or even fall off the machine. If this should happen, guards must be replaced immediately.


WARNING


DO NOT OPERATE SPREADER WITH ANY GUARD OPEN OR MISSING. ROTATING PARTS CAN DISMEMBER OR KILL.

3. After cleaning, lube the spreader to exclude moisture from bearings and prevent condensation from forming during storage. Apply oil to roller chain drives.
4. This is a good time to inspect all adjustments and check for parts that need repair or replacement. Performing these tasks now will guarantee that the spreader is ready for use at the beginning of the next season.

SHEAR PIN HUBS


The spreader drive train is protected with a shear pin hub at the front end of the side drive shaft. The apron drive is also shear bolt protected. If the shear bolts shear, determine cause of overload and correct. Realign holes in sprocket and shear pin hub and replace bolts. Snug lock nuts only enough to remove all slack. Do Not Tighten completely.

 Use 5/16x1-1/4 Grade 2 bolts and 5/16 lock nuts only.

 Use 7/16 Gr. 2 bolts and 7/16 lock nuts only.

ADJUSTMENT

APRON CHAIN

 The apron chain is adjusted by (2) adjuster screws located on the front of the box frame. Adjust the screws so there is no chain sag on the return side or chain is never closer than 5" to the spreader axle. When there is no more adjustment left on the adjuster screws, loosen the nuts on the screws and push the screws in as far as they will go. Then remove a link from each chain and readjust the apron chain.

MAINTENANCE, LUBRICATION & ADJUSTMENTS Continued

ROLLER CHAIN ADJUSTMENT

(A2) The beater drive chain is automatically tensioned with a spring loaded tensioner. Proper chain tension is 1/4 to 1/2" of deflection at midspan on the loaded chain strand.

(A3) The apron drive chain is automatically tensioned with a spring loaded tensioner. Proper chain tension is 1/4 to 1/2" of deflection at midspan on the loaded chain strand.

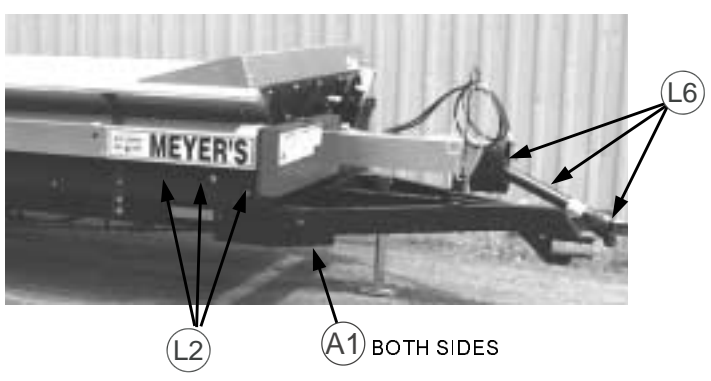
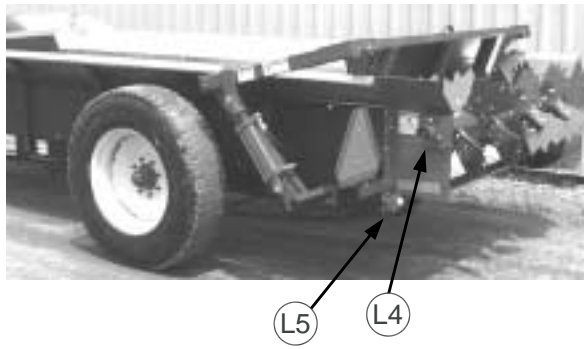
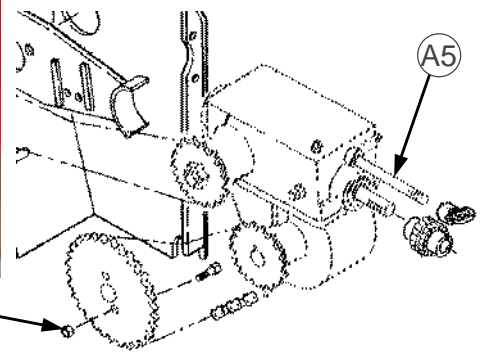
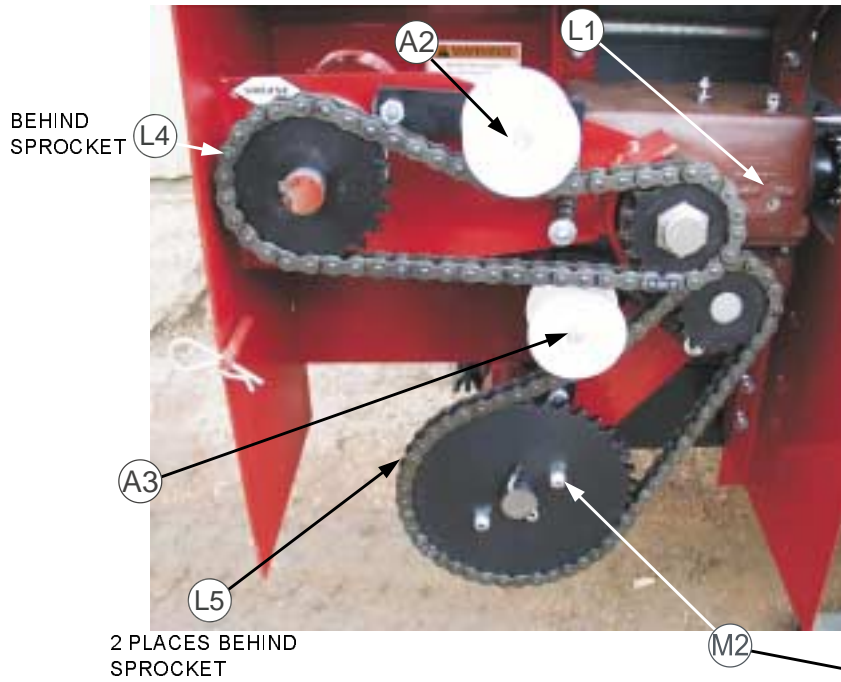
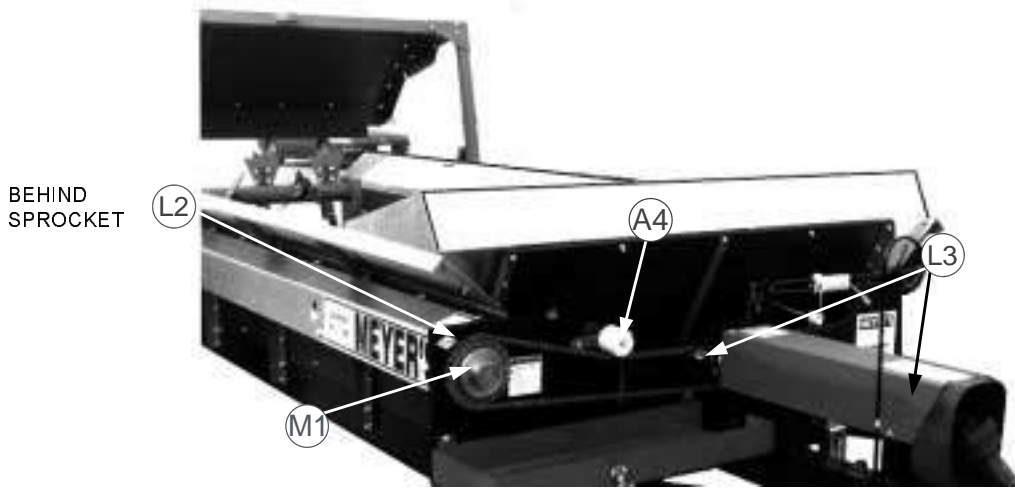
(A4) Side apron drive chain is automatically tensioned with a spring loaded tensioner. Proper chain tension is 1/4 to 1/2" of deflection at midspan on the loaded chain strand.

(A5) Check beater clutch cable periodically for proper adjustment. To do this, move beater clutch lever to full engaged position. If there is any slack in cable, loosen cable clamp at the rope lever on clutch at front of spreader. See figure 7. Remove all slack cable so it is tight to the point that it just begins to pull on the clutch rod on the beater gearbox. If the gearbox clutch rod begins to move, the cable is too tight. When correct, tighten the cable clamp. As a final check, pull on the beater clutch to the fully disengaged position. The gearbox clutch rod should be fully extended out. You should not be able to move it any further by pulling on the cable.

SEE DIAGRAMS, NEXT PAGE.

MAINTENANCE, LUBRICATION & ADJUSTMENTS (continued)

NOTE: Shields removed for Illustrative Purposes



LUBRICATION

- (L1) Maintain oil level in gear reducer at the check level plug, located at rear drive. When required, refill with SAE 85-140 Moly Fortified gear lube or Synthetic SAE 70-90 gear lube.
- (L2) Grease two (Model 225A has 3) bearings on the side drive shaft and bearing at front end of this shaft annually.
- (L3) There is a bearing at each end of the shaft connecting the PTO shaft with the front roller chain drive, see illustration. Grease these bearing annually.
- (L4) Grease the bearing at both ends of the beater every 10 loads.
- (L5) Grease the bearing on the side opposite the drive of the rear apron drive shaft. Grease two places on the drive side, right behind apron drive sprocket, every 10 loads.
- (L6) Lubricate the PTO universal joints with 1 pump of grease every 8 hrs. Lubricate the telescoping members of the drive shaft with 4-8 pumps every 8 hrs.

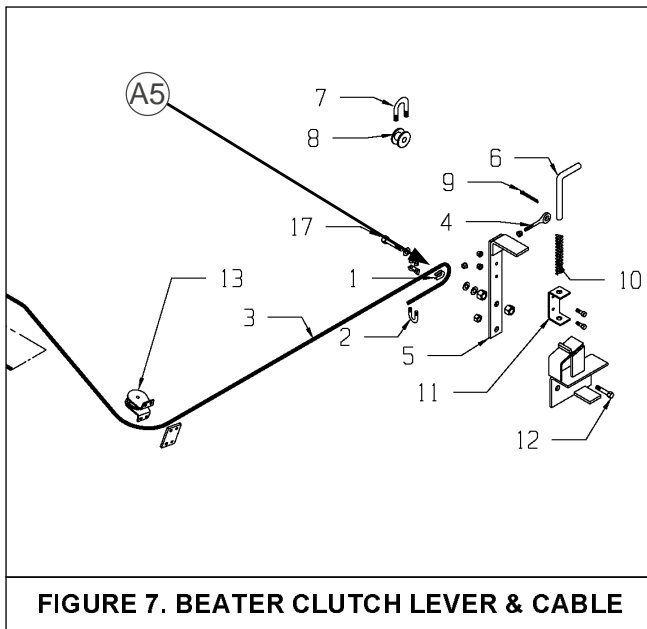


FIGURE 7. BEATER CLUTCH LEVER & CABLE

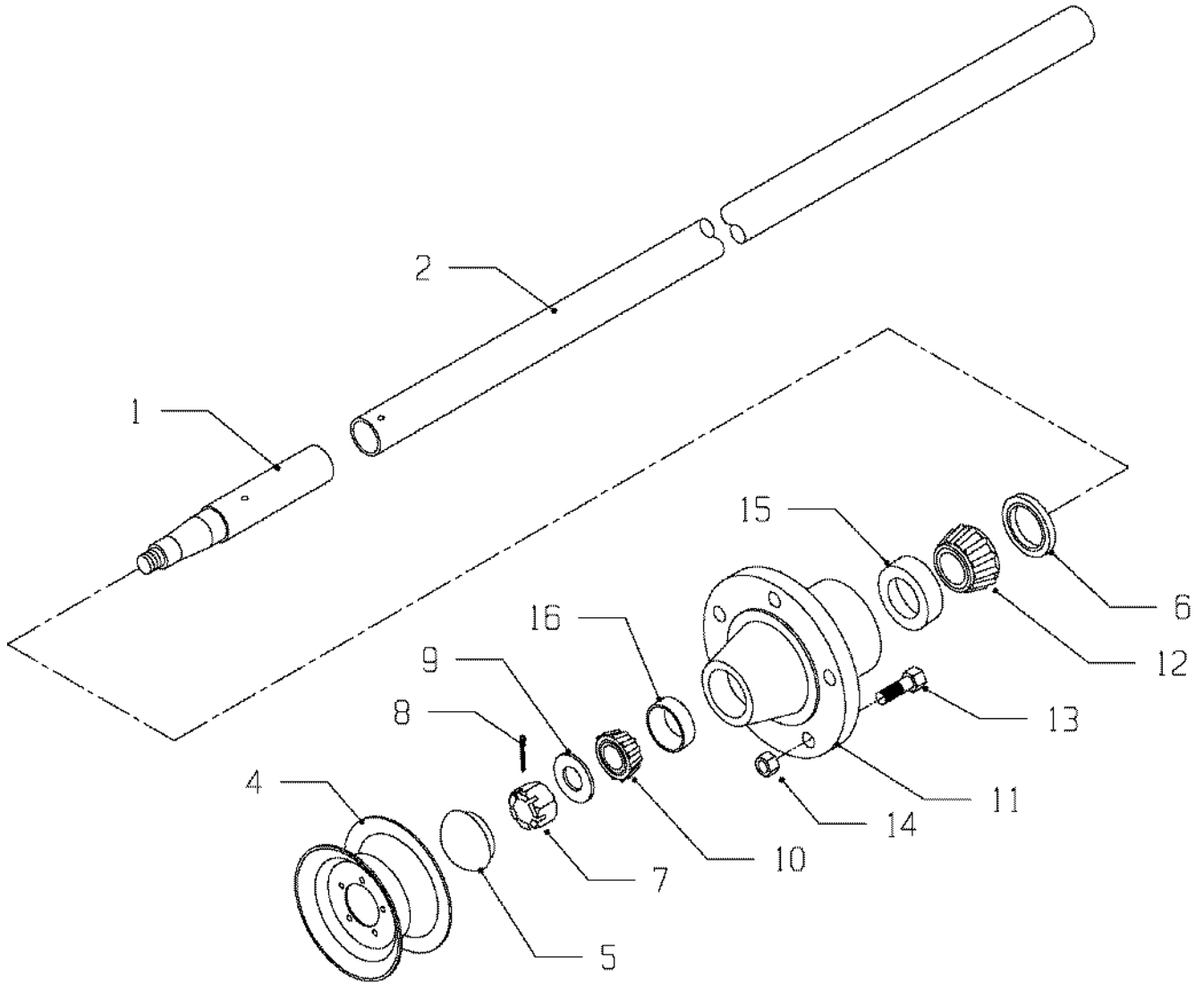
DANGER

IT IS NOT SAFE TO CLEAN OR SERVICE THE SPREADER WITH POWER OPERATING. PULLING ON THE BEATER CLUTCH ROPE DOES NOT SHUT OFF POWER TO THE SPREADER.

This Page Intentionally Blank

REPAIR PARTS

AXLE, WHEELS, SPINDLES AND RELATED PARTS

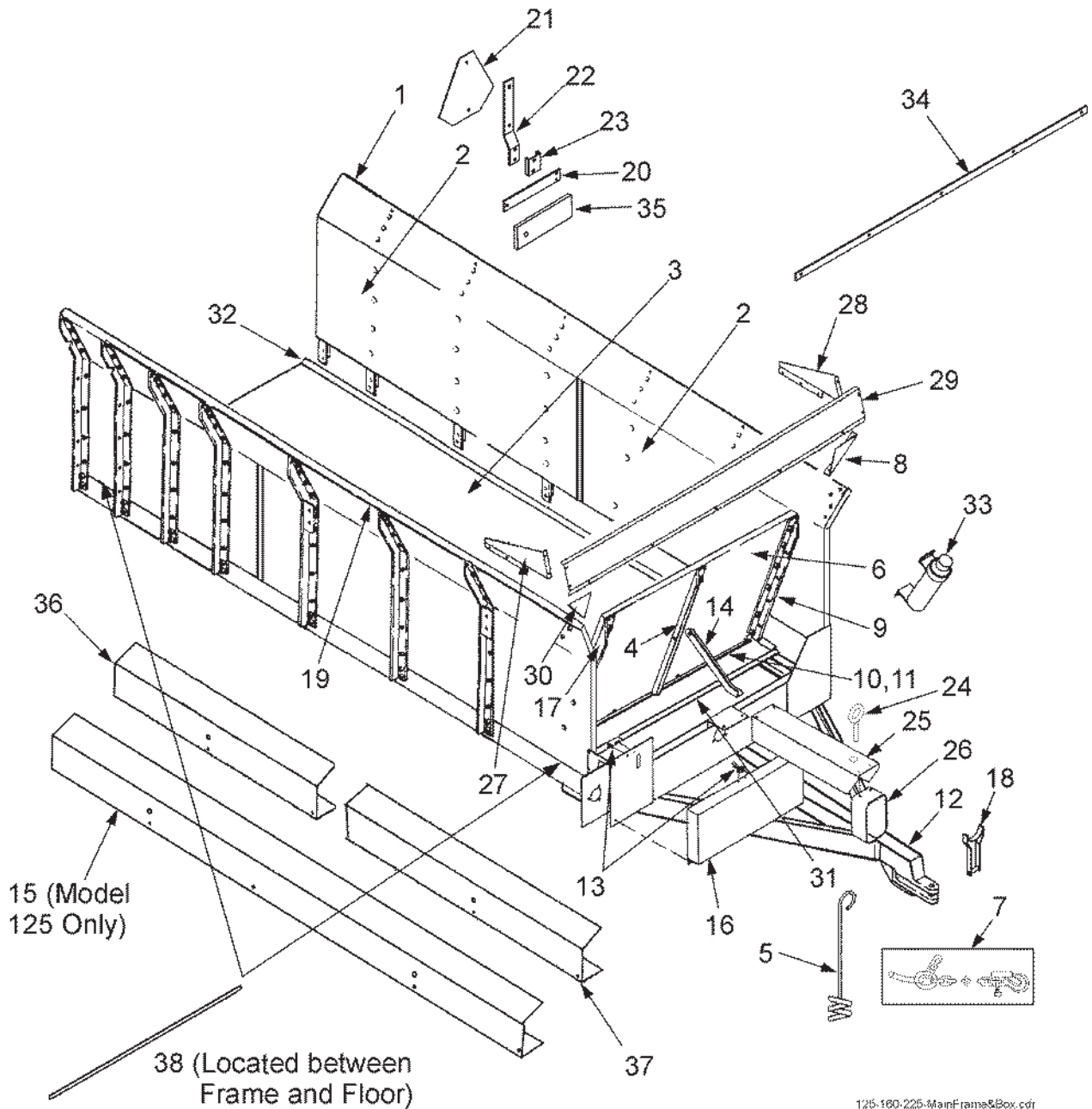


AXLE, WHEELS, SPINDLES AND RELATED PARTS

KEY	PART NO.	QTY 125	QTY. 160	QTY 225	DESCRIPTION
1	E01672	2	2	0	Spindle
	E01673-01	0	0	2	Spindle
2	E01674	1	0	0	Tube, Axle 58" x 2-7/8" O.D.
	E01675	0	1	0	Tube, Axle 71" x 2-7/8" O.D.
	E01676-01	0	0	1	Tube, Axle 72-1/2" x 3-1/2 O.D.
4	E01677	2	2	2	Wheel 22.5x8.25
5	E01678	2	2	0	Cap, Hub Dust - 103969
	E01679	0	0	2	Cap, Hub Dust - 103212
6	E01680	2	2	0	Seal, Hub Cap, CR22392
	E01681	0	0	2	Seal, Hub Cap, CR27394
7	E01682	2	2	0	Nut, Spindle
	E01683	0	0	2	Nut, Spindle
8	E01684	2	2	0	Pin, Cotter
	E01685	0	0	2	Pin, Cotter
9	E01686	2	2	0	Washer, Hub
	E01687	0	0	2	Washer, Hub
10	E01688	2	2	0	Bearing, Outside Wheel - LM67048
	E01689	0	0	2	Bearing, Outside Wheel - LM501349
11	E01692	2	2	0	458 Hub w/Cups & Studs
	E01693	0	0	2	608 Hub w/Cups & Studs
12	E01694	2	2	0	Bearing, Inside Wheel - LM603049
	E01695	0	0	2	Bearing, Inside Wheel - JLM506849
13	E01698	16	16	16	Stud, Wheel
14	E01699	16	16	16	Nut, Wheel
15	E01696	2	2	0	Cup, Inside Wheel Bearing - LM603011
	E01697	0	0	2	Cup, Inside Wheel Bearing - JLM506810
16	E01690	2	2	0	Cup, Outside Wheel Bearing - LM67010
	E01691	0	0	2	Cup, Outside Wheel Bearing - LM501310

MAIN FRAME AND BOX

MODEL 225 SHOWN



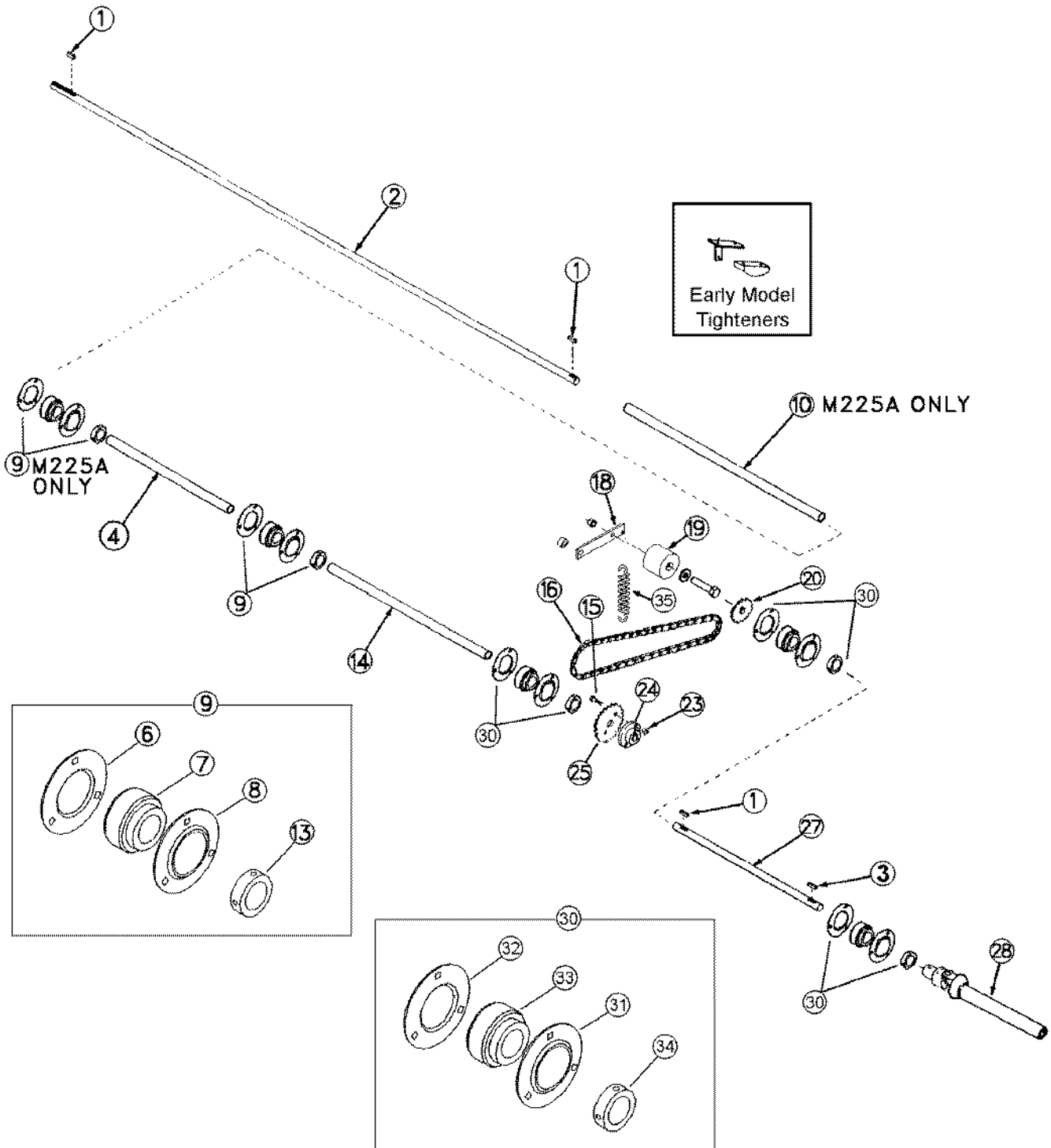
125-160-225-MainFrame&Box.cdr

KEY	PART NO.	QTY 125	QTY. 160	QTY 225	DESCRIPTION
1	E01710	1	0	0	Flare Upper Left - Galvanized 10' Long
	E01711	0	1	0	Flare Upper Left - Galvanized 12' Long
	E01712	0	0	1	Flare Upper Left - Galvanized 14' Long
2	E01713-12	4	0	0	Board, Side - 15-1/8" x 52-3/8"
	E01715-12	0	4	0	Board, Side - 15-1/8" x 64-3/8"
	E01717-12	0	0	4	Board, Side - 15-1/8" x 76-3/8"
3	E01719-97	1	0	0	Complete Floor, 42"x110"
	E01721-97	0	1	0	Complete Floor, 54.5"x134"
	E01723-97	0	0	1	Complete Floor, 59.5"x158"
4	E01725	1	1	1	Angle, Front Gate Middle 1-1/4x1-3/4"
5	E00026	1	1	1	Hydraulic Hose Support

Main Frame and Box

KEY	PART NO.	QTY 125	QTY. 160	QTY 225	DESCRIPTION
6	E01727-10	1	0	0	Board, Front Poly 18" x 42 3/8"
	E01728-10	0	1	0	Board, Front Poly 18" x 54 7/8"
	E01730-10	0	0	1	Board, Front Poly - 18" x 59 7/8"
7		1	1	1	Safety Chain, Towing, 20000 lb., Optional
8	E01733	1	1	1	Formed-Corner-Galvanized, Left
9	E01734	1	1	1	Angle, Front Gate-Left 1-1/4x1-3/4"
10	E01735	1	0	0	Belt, Front Gate - 42-1/2x10"
	E01736	0	1	0	Belt, Front Gate - 55x10"
	E01737	0	0	1	Belt, Front Gate - 60x10"
11	E01738	1	0	0	Bar, Front Gate 3/16 x 5 x 42 1/4
	E01739	0	1	0	Bar, Front Gate 3/16 x 5 x 54 3/4
	E01740	0	0	1	Bar, Front Gate 3/16 x 5 x 59 3/4
12	E01741	1	0	0	Frame, Main
	E01742	0	1	0	Frame, Main
	E01743	0	0	1	Frame, Main
13	E00016	1	1	1	Lock Assembly Complete
14	E01099	1	1	1	Angle, Support - Front Gate
15	E01746-99	1	0	0	Side Shaft Shield
16	E01749	1	0	0	Shield, Front Roller Chain
	E01750	0	1	0	Shield, Front Roller Chain
	E01751	0	0	1	Shield, Front Roller Chain
17	E01752	1	1	1	Angle, Front Gate - Right -1-1/4x1-3/4"
18	E01122	1	1	1	PTO Stand
19	E01754	1	0	0	Flare, Upper Right - Galv. 10' Long
	E01755	0	1	0	Flare, Upper Right - Galv. 12' Long
	E01756	0	0	1	Flare, Upper Right - Galv. 14' Long
20	125-435-7	1	1	1	Bracket, SMV Sign
21	PM10-11-05	1	1	1	SMV Sign
22	E21648	1	1	1	SMV Spade Mounting
23	E21649	1	1	1	SMV Socket Mounting
24	E01647	1	1	1	Eyebolt/Rope Guide
25	E01760	1	1	1	Shield, Front Drive Shaft
26	E01761	1	1	1	Rubber Strap - PTO Bell
27	E01762	1	1	1	Right Side, Splash Pan
28	E01763	1	1	1	Left Side, Splash Pan
29	E01764	1	0	0	Front Splash Pan Piece
	E01765	0	1	0	Front Splash Pan Piece
	E01766	0	0	1	Front Splash Pan Piece
30	E01767	1	1	1	Formed - Corner Galvanized, Right
31	E01768	1	0	0	Galvanized Poly Floor Hold Down
	E01769	0	1	0	Galvanized Poly Floor Hold Down
	E01770	0	0	1	Galvanized Poly Floor Hold Down
32	E01771-10	2	0	0	10' Poly Floor Chain Spacer
	E01772-10	0	2	0	12' Poly Floor Chain Spacer
	E01773-10	0	0	2	14' Poly Floor Chain Spacer
33	E21650	1	1	1	Manual Holder w/ Decal
34	SP100	1	0	0	Belt Hold Down, Front Gate
	SP99	0	1	0	Belt Hold Down, Front Gate
	SP123	0	0	1	Belt Hold Down, Front Gate
35	125-435-6	1	1	1	Bracket, Red Reflector
36	160-3	0	1	0	Side Shaft Shield, Back Half
	225-3	0	0	1	Side Shaft Shield, Back Half
37	160-4	0	1	0	Side Shaft Shield, Front Half
	225-2	0	0	1	Side Shaft Shield, Front Half
38	125-7	2	0	0	Floor Hold Down
	160-9	0	2	0	Floor Hold Down
	225-435-1	0	0	2	Floor Hold Down

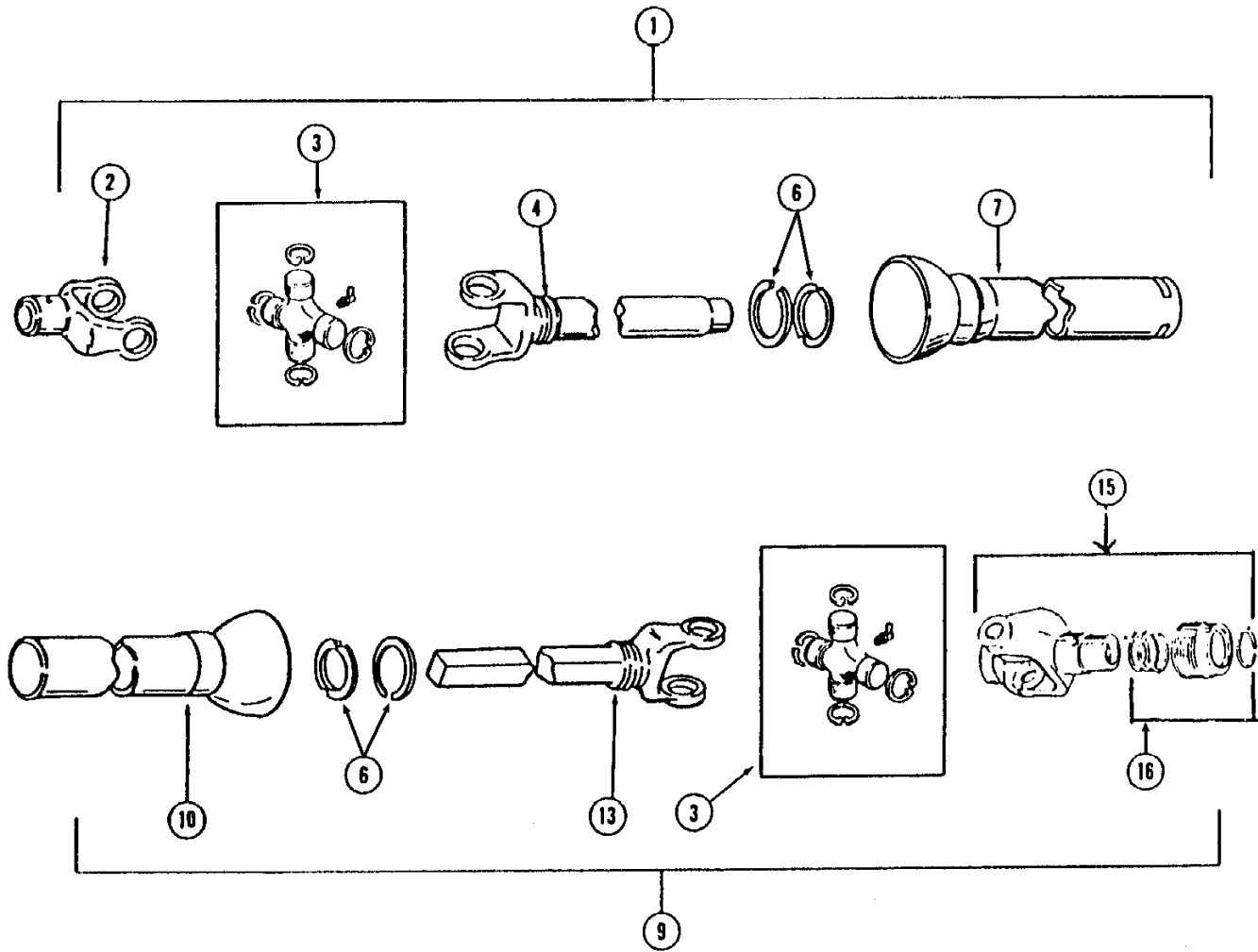
FRONT AND SIDE DRIVE SHAFT AND RELATED PARTS



FRONT AND SIDE DRIVE SHAFT AND RELATED PARTS

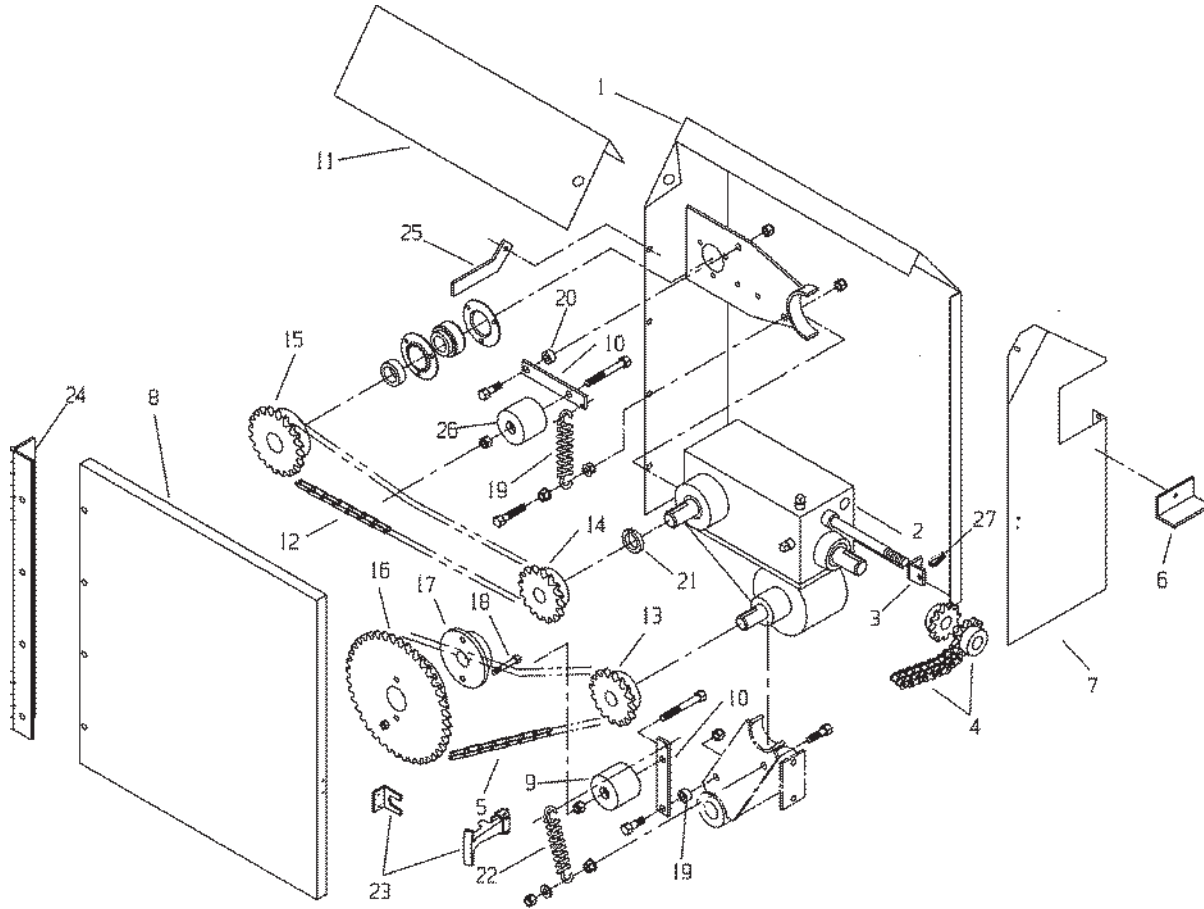
KEY	PART NO.	QTY 125	QTY. 160	QTY 225	DESCRIPTION
1	E01774	3	3	3	Key, Square - 3/8x1-3/8" Long
2	E01775	1	0	0	Shaft, Side - 9' 2-15/16" Long
	E01776	0	1	0	Shaft, Side - 11' 2-7/8" Long
	E01777	0	0	1	Shaft, Side - 13' 3-1/4" Long
3	E01181	1	1	1	Key Square 3/8" x 1-1/2"
4	E01778	1	1	0	Guard, Shaft - PVC 50-15/16"
	E01779	0	0	1	Guard, Shaft - PVC 56-1/2"
6	E01780	1	1	2	1-1/4" Flange, 3 Hole 62mm-3-90°-Z Greaseable
7	E01782	1	1	2	Bearing, FH206-20G - 1-1/4" Greaseable
8	E01784	1	1	2	Flange, 3 hole 62mm-3
9	E01786	1	1	2	1-1/4" FH206-20G - Bearing w/Flanges Complete
10	E01788	0	0	1	Guard, Shaft - PVC 62"
13	REF	1	1	2	Collar, 1-1/4" - (not sold separately)
14	E01789	1	0	0	Guard, Shaft - PVC 53-7/8"
	E01790	0	1	0	Guard, Shaft - PVC 77-3/4"
	E01791	0	0	1	Guard, Shaft - PVC 32-3/4"
15	E01792	2	2	2	Bolt, Shear - Grade 2, 5/16x1-1/4"
16	E01793	1	0	0	Chain, Front Drive (#60-94 pitches)
	E01794	0	1	0	Chain, Front Drive (#60-110 pitches)
	E01795	0	0	1	Chain, Front Drive Roller (#60-117 pitches)
18	E01796	1	1	1	Bracket, Front Chain Tightener Complete
19	E00311-00	1	1	1	Tension Adjuster, 1/2" Bore, Rubber
20	E01798	1	1	1	Sprocket, Front Drive - 60B20x1-1/4" - 3/8" Keyway
23	E01799	2	2	2	Jam Nut, Shear Bolt - 5/16"
24	E01800	1	1	1	Hub, Front Shear - 5/16"x (1-1/4" Bore)
25	E01801	1	1	1	Sprocket, Side Drive Shaft - 60A30-5/16"x (1-1/4" Bore)
27	E01802	1	1	1	Shaft, Front Drive - 33-1/2" long
28	REF	1	1	1	Shaft, PTO Drive (see separate listing)
30	E01803	3	3	3	1-1/4" HC20720 - Bearing w/Flanges Complete
31	E01804	3	3	3	1-1/4" Flange, 3-Hole 72mm-3-90°-Z Greaseable
32	E01805	3	3	3	Flange, 3-Hole - 72mm-3
33	E01806	3	3	3	Bearing, HC20720-1-1/4" H.D. Greaseable
34	REF	3	3	3	1-1/4" H.D. Collar (not sold separately)
35	E01807	1	1	1	Front Chain, Tension Spring Only

PTO SHAFT ASSEMBLY (USED ON ALL MODELS)



KEY	PART NO.	QTY 125	QTY. 160	QTY 225	DESCRIPTION
	E01817	1	1	1	Comp. 14NWU-Joint Telescoping Assy w/Guard 232-9952
1	E01818	1	1	1	Joint and Tube Half Assy. w/Guard - 92-9952
2	E01819	1	1	1	Yoke - 1-1/4" Bore End - 14011-1240
3	E01820	2	2	2	14 NW Repair Kit - 03-10134
4	E01821	1	1	1	Yoke and Tube - 98-9952
6	E01822	2	2	2	Nylon Bearing Kit - Bearing & Snap Ring - 19-11104
7	E01823	1	1	1	Guard, Male (spreader half) - 96-9952
9	E01824	1	1	1	Joint and Shaft Half Assy. w/Guard - 93-9952
10	E01825	1	1	1	Guard, Female (for tractor half) - 97-9952
11	E01826	1	1	1	Safety Decal (<i>not pictured</i>), 13-10021
13	E01827	1	1	1	Yoke and Shaft - 99-9952
15	E01828	1	1	1	Spring Lock Yoke Assembly - 14121-1010
16	E01829	1	1	1	Spring Lock Repair Kit - 26-10070

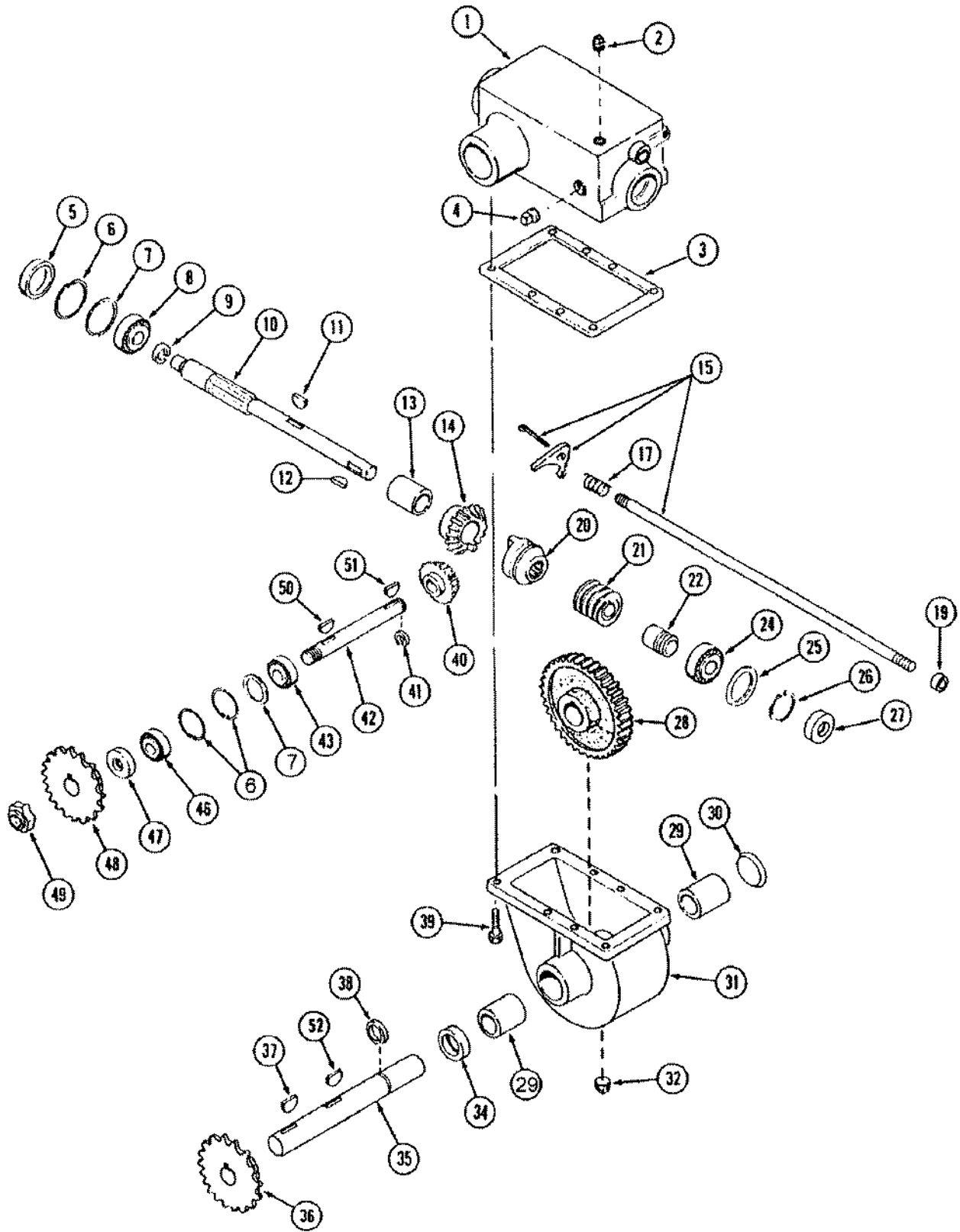
BEATER AND APRON DRIVE PARTS



125-160-225-BeaterAndApronDrive.cdr

KEY	PART NO.	QTY 125	QTY. 160	QTY 225	DESCRIPTION
1	E01840-1.5	1	1	1	Bracket, Right Rear
2	REF	1	1	1	Box, Gear - (see separate listing)
3	E02127	1	1	1	Clutch Cable Angle Bracket with Two 1/2" Nuts
4	E01842	1	1	1	Coupling, Drive
5	E01843	1	1	1	Chain, Apron Drive #60-60 Pitches
6	E01844	1	1	1	Bracket
7	E01845-04	1	1	1	Shield, Gear Case Side
8	E01846-04	1	1	1	Shield, Main Gear Box
9	E01848	1	1	1	Plastic Spool Chain Tension, Adjusting Only
10	E01796	2	2	2	Tightener Bracket
11	E01850-04	1	1	1	Shield, Top
12	E01851	1	1	1	Chain, Beater Drive - #60-52 Pitches
13	E01852	1	1	1	Sprocket, Apron Drive - 60B16 - 1-1/4", 5/16" Keyway
14	E01853	1	1	1	Sprocket, Beater Drive - 60B16 - 1-3/8", 3/8" Keyway
15	E01972-1.5	1	1	1	Sprocket, Beater Drive - 60B22 - 1-1/2", 3/8" Keyway 2011 Rev
16	E01855	1	1	1	Sprocket, Apron Driven - 60A40 - 1-1/2" (Standard)
	E01856	1	1	1	Sprocket, Apron Driven - 60A36 - 1-1/2" (Speed Up)
	E01857	1	1	1	Sprocket, Apron Driven - 60A48 - 1-1/2" (Slow Down)
17	E01858	1	1	1	Hub, Shear for Apron Drive
18	E01860	2	2	2	Bolt, Shear GR2 - 7/16x1-1/2"
19	E01862	1	1	1	Spring, Tension Beater
20	E01863	2	2	2	Spacer
21	E01864	1	1	1	Spacer, Split 3/8" wide
22	E01865	1	1	1	Spring, Tension Apron
23	E00016	1	1	1	Lock Assy, Complete
24	E01273	1	1	1	Hinge
25	E01274	1	1	1	Cable Door Stop
26	E00311-00	1	1	1	Tension Adjuster, 1/2" Bore, Rubber
27	E01932	1	1	1	Cable Thimble

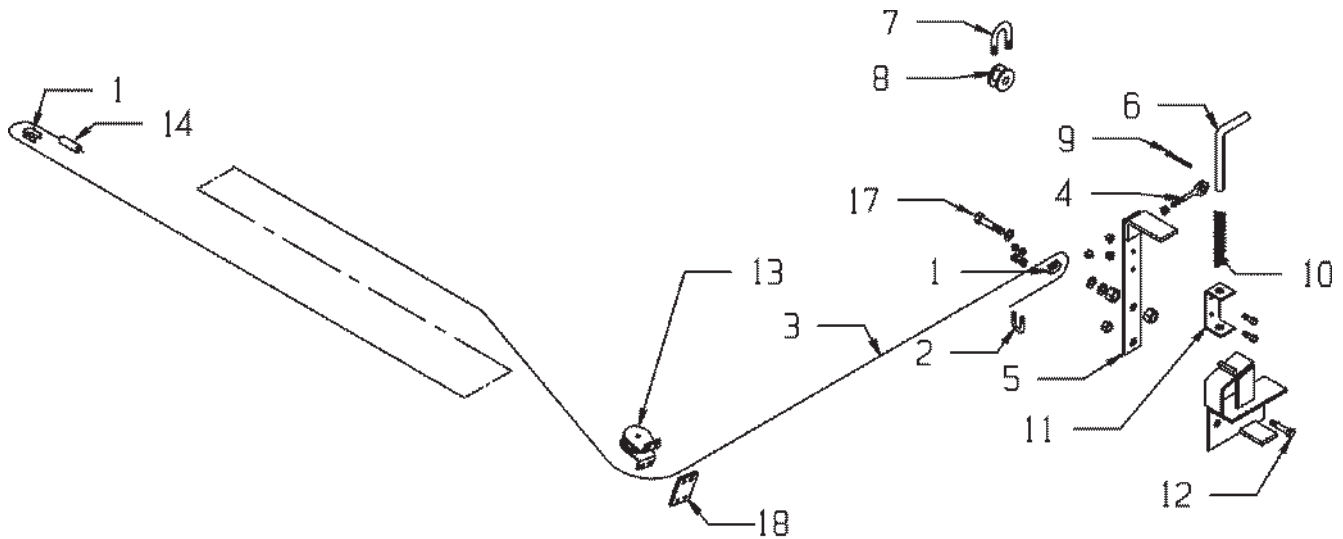
GEAR BOX



GEAR BOX

KEY	PART NO.	QTY 125	QTY. 160	QTY 225	DESCRIPTION
0	E01872	1	1	0	Gearbox - Complete (Cast Gear) - #7037 (A64)
0	E01873	0	0	1	Gearbox - Complete (Bronze Gear) - #7036 (A64)
1	E01874	1	1	1	Housing, Gear (Upper) A64-1
2	E01875	1	1	1	Plug, Vent K151
3	E01876	1	1	1	Gasket-K91
4	E01877	1	1	1	Plug, Oil Level 1/8-27 NPT K34
5	E01878	1	1	1	Cap K70
6	E01879	3	3	3	Ring, Snap D23
7	E01880	AR	AR	AR	Shim .005 Thick P16
8	E01881	1	1	1	Cone, Bearing #14124-C16
	E01882	1	1	1	Cup, Bearing #14276-C17
9	E01883	1	1	1	Ring, Snap D12
10	E01884	1	1	1	Shaft, Input E2623 (E5308)
11	E01885	1	1	1	Key, Woodruff Hard J56
12	E01886	1	1	1	Key, Woodruff Hard J39
13	E01887	1	1	1	Bushing, Bronze C94
14	E01888	1	1	1	Gear, Bevel -Forged Clutch 24T B13-23
15	E01889	1	1	1	Yoke And Rod Assembly M52-1
17	E01890	1	1	1	Spring M32
19	E01891	1	1	1	Clutch Rod Seal K81
20	E01892	1	1	1	Clutch, Shifter 1-1/4 18T, Splined M54
21	E01893	1	1	1	Gear, Worm B31-6
22	E01894	1	1	1	Spacer P107 1-5/16
24	E01895	1	1	1	Cone, Bearing #15113, C11
	E01896	1	1	1	Cup, Bearing #15245, C13
25	E01897	AR	AR	AR	Shim, .020 Thick P17
26	E01898	1	1	1	Ring, Snap D24
27	E01899	1	1	1	Seal, Input K14
28	EO1900	1	1	0	Gear, Worm Cast Iron B43 (36T)
	E01901	0	0	1	Gear, Worm Bronze B43-A (36T)
29	E01902	2	2	2	Bushing C32
30	E01903	1	1	1	Plug, Expansion K72
31	E01904	1	1	1	Housing, Gear Lower A65
32	E01905	1	1	1	Plug, Drain 3/8-18 NPT K36
34	E01906	1	1	1	Seal, Output Apron Drive K73
35	E01907	1	1	1	Shaft, Low Speed, Output E5310 (E437)
36	REF	1	1	1	Sprocket, Apron Drive 1-1/4, 5/16 Keyway, 60B16
37	E01908	1	1	1	Key J11
38	E01909	1	1	1	Ring, Snap D12
39	E01910	8	8	8	Screw, Cap D51
40	E01911	1	1	1	Gear, Bevel B12
41	E01912	1	1	1	Ring, Snap D13
42	E01913	1	1	1	Shaft, High Speed Output, E5309 (E442)
43	E01914	1	1	1	Cone, Bearing #14137A, C14
	E01915	1	1	1	Cup, Bearing #14276, C17
46	E01916	1	1	1	Cone, Bearing #14136A, C15
47	E01917	1	1	1	Seal, Output (High Speed) K25
48	REF	1	1	1	Sprocket, Beater Drive 60B16, 1-3/8, 3/8 Keyway
49	E01918	1	1	1	Nut, Stake D106
50	E01919	1	1	1	Key, Woodruff J12
51	E01920	1	1	1	Key, Woodruff Hard J25
52	E01921	1	1	1	Key, Woodruff Hard J15

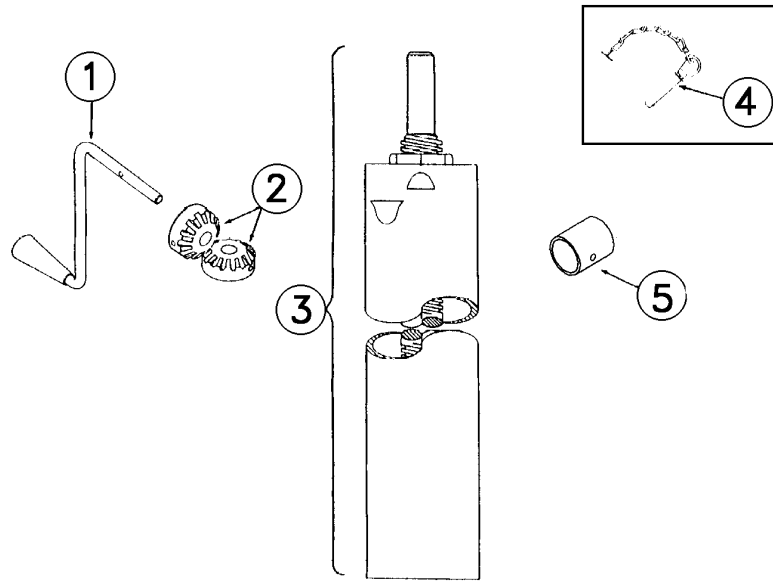
CLUTCH CABLE AND RELATED PARTS



ClutchCableAndRelatedParts.cdr

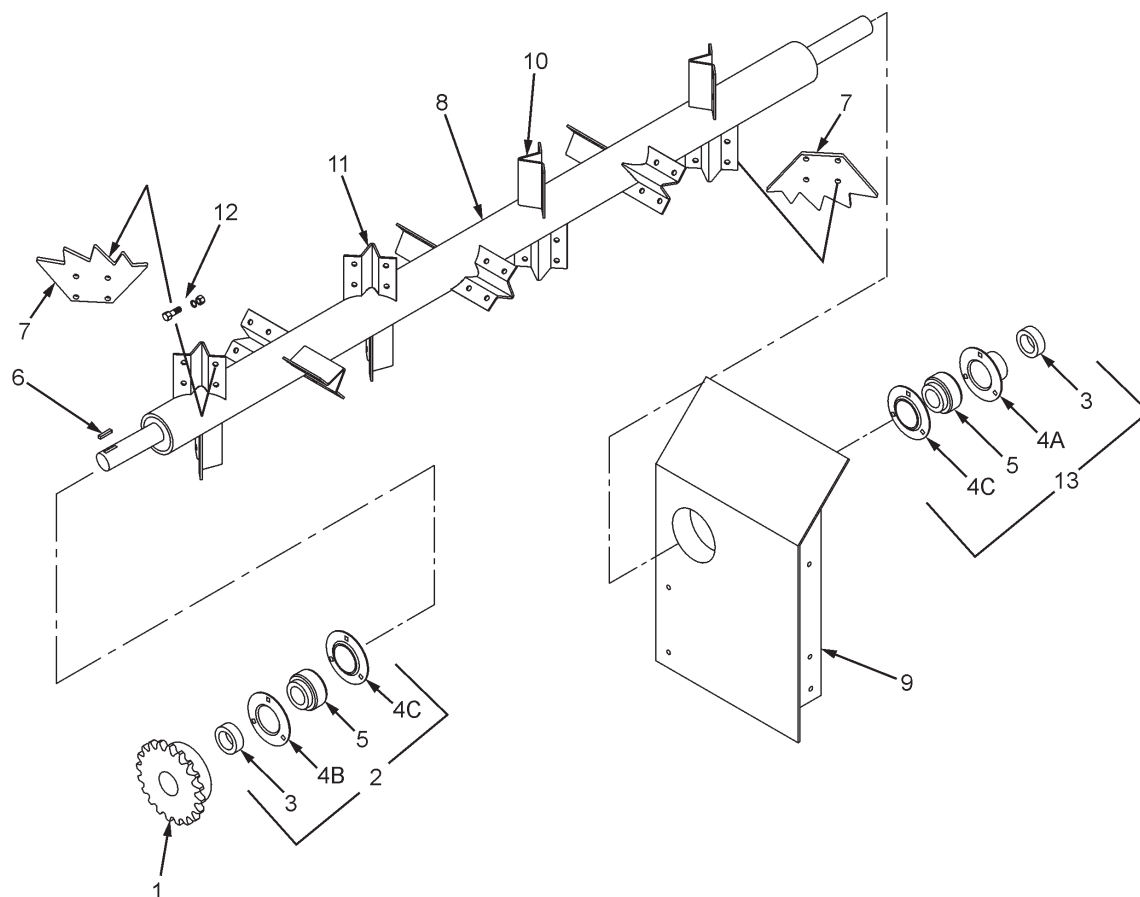
KEY	PART NO.	QTY 125	QTY. 160	QTY 225	DESCRIPTION
1	E01932	2	2	2	Thimble, Cable w/Bolt, Nuts & Washers
2	E01933	1	1	1	Clamp, Cable - Bolt Type
3	E01934	1	0	0	Cable, Clutch - 12'3"
	E01935	0	1	0	Cable, Clutch - 14'3"
	E01936	0	0	1	Cable, Clutch - 16'3"
4	E01647	1	1	1	Eye Bolt
5	E01938-99	1	1	1	Lever
6	E01939	1	1	1	Locking Rod
7	E01639	1	1	1	U-Bolt
8	E01648	1	1	1	Insulator
9	E01942	1	1	1	Cotter Pin, 3/16x1-1/4"
10	E01642-99	1	1	1	Spring, Compression C0720-085-2750-M
11	E01945	1	1	1	Locking Rod Plate w/2-1/4x3/4" Machine Bolts & Nuts
12	E01646	1	1	1	Lever Pivot Bolt, 1/2x1-1/4 w/Lock Nut
13	E01936-99	1	1	1	Guide, Cable Pulley
14	E01645	1	1	1	Clamp, Cable - Crimped Type
17	E01941-99	1	1	1	Bolt 1/2 x 2" Machine 3-1/2" Flat Washer & 2-1/2" Nuts
18	E01847	1	1	1	125-390 Pulley Arm Brkt.

JACK ASSEMBLY



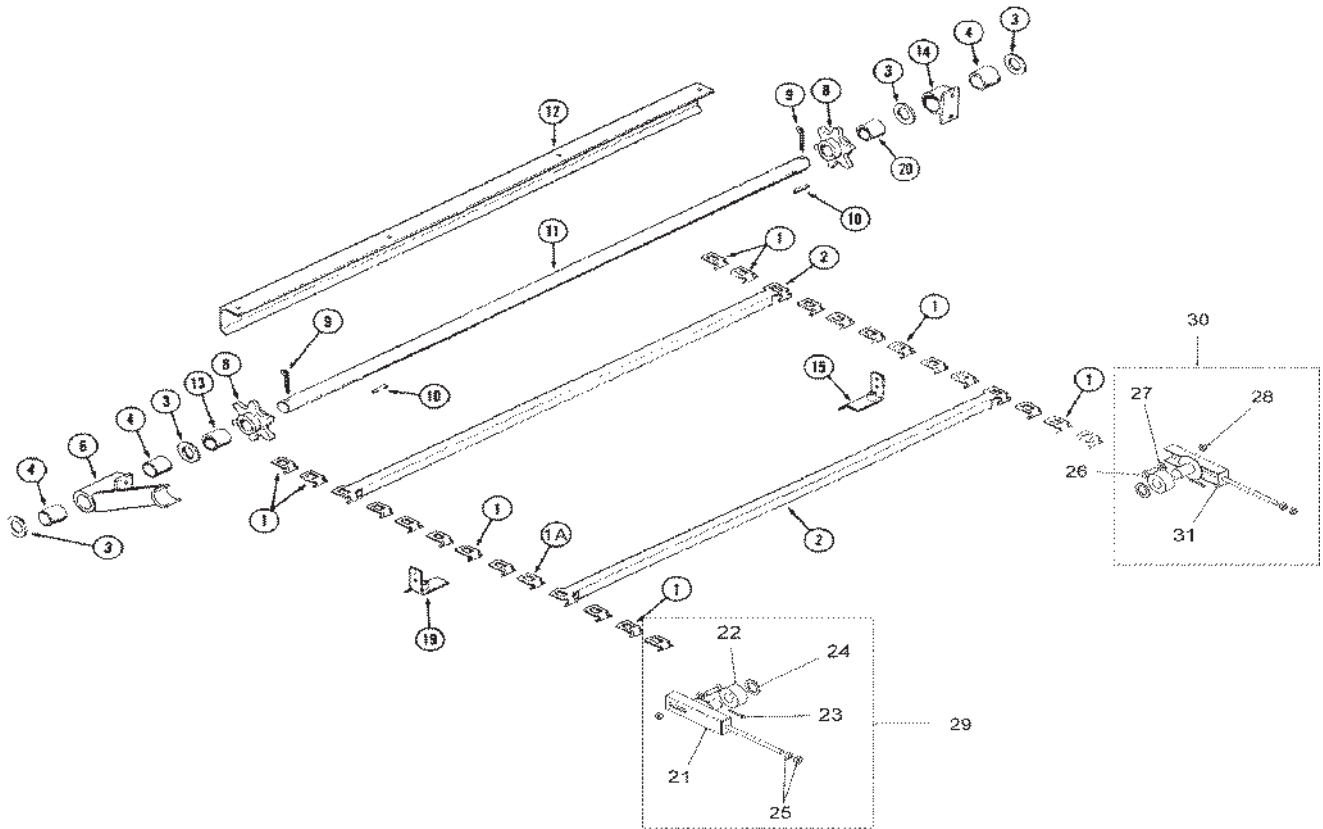
KEY	PART NO.	QTY 125	QTY. 160	QTY 225	DESCRIPTION
	E01956	1	1	1	Jack Assembly - 3SM-15-0
1	E01957	1	1	1	Kit, Handle Repair (consists of a clevis, bolt, crank and handle grip assembly)
2	E01958	1 pr.	1 pr.	1 pr.	Gears, Bevel
3	E01959	1	1	1	Kit, Inner Ram (includes inner ram, screw, nut and bearing)
4	E01960	1	1	1	Pin, Hitch
5	E01961	1	1	1	Mount, Weld On

BEATERS & RELATED PARTS



KEY	PART NO.	QTY 125	QTY. 160	QTY 225	DESCRIPTION
1	E01972-1.5	1	1	1	Sprocket, Beater Drive 60B22x1-1/2" Bore, 3/8" Keyway
2	E01973-1.5	1	1	1	Bearing Assembly, G1108KRRB - 1-1/2" w/2-80mm-4 Flanges
3	REF	1	1	1	Collar (not sold separately)
4A	E01974-1.5	1	1	1	Flange, 80mm-4GR w/Guard
4B	E01975-1.5	1	1	1	Flange, 80mm-4GZP-C w/65°-Zerk
4C	E01976-1.5	1	1	1	Flange, 80mm-4GZP
5	E01977-1.5	2	2	2	Bearing, G1108KRRB
6	E01978	1	1	1	Key, Square - 3/8x1-3/8"
7	E01979	10	14	14	Paddle, Beater SP14
8	E01980-1.5	1	0	0	Beater, Only (Less Paddles)
	E01981-1.5	0	1	0	Beater, Only (Less Paddles)
	E01982-1.5	0	0	1	Beater, Only (Less Paddles)
9	E01983-1.5	1	1	1	Bracket, Beater - Left
10	E01984	5	7	7	Beater Ear, Weld On LH
11	E01985	5	7	7	Beater Ear, Weld On RH
12	E01986	40	56	56	Bolts for Paddles - 1/2x1-1/2" GR5 w/Nut
13	E01987-1.5	1	1	1	Bearing Assy., G1108KRRB-1-1/2" w/2-80mm-4 Flanges & Guard

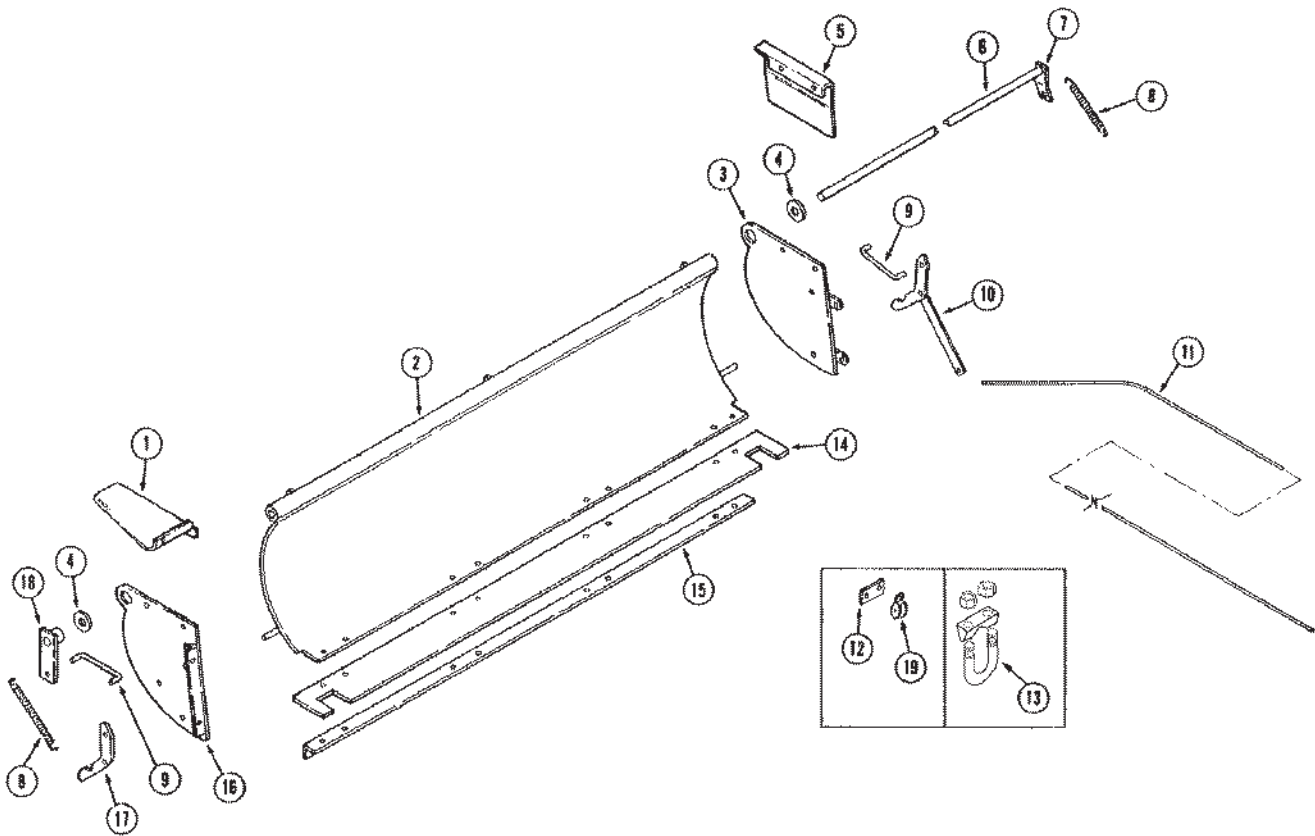
APRON & RELATED PARTS



125-180-225-ApronParts.cdr

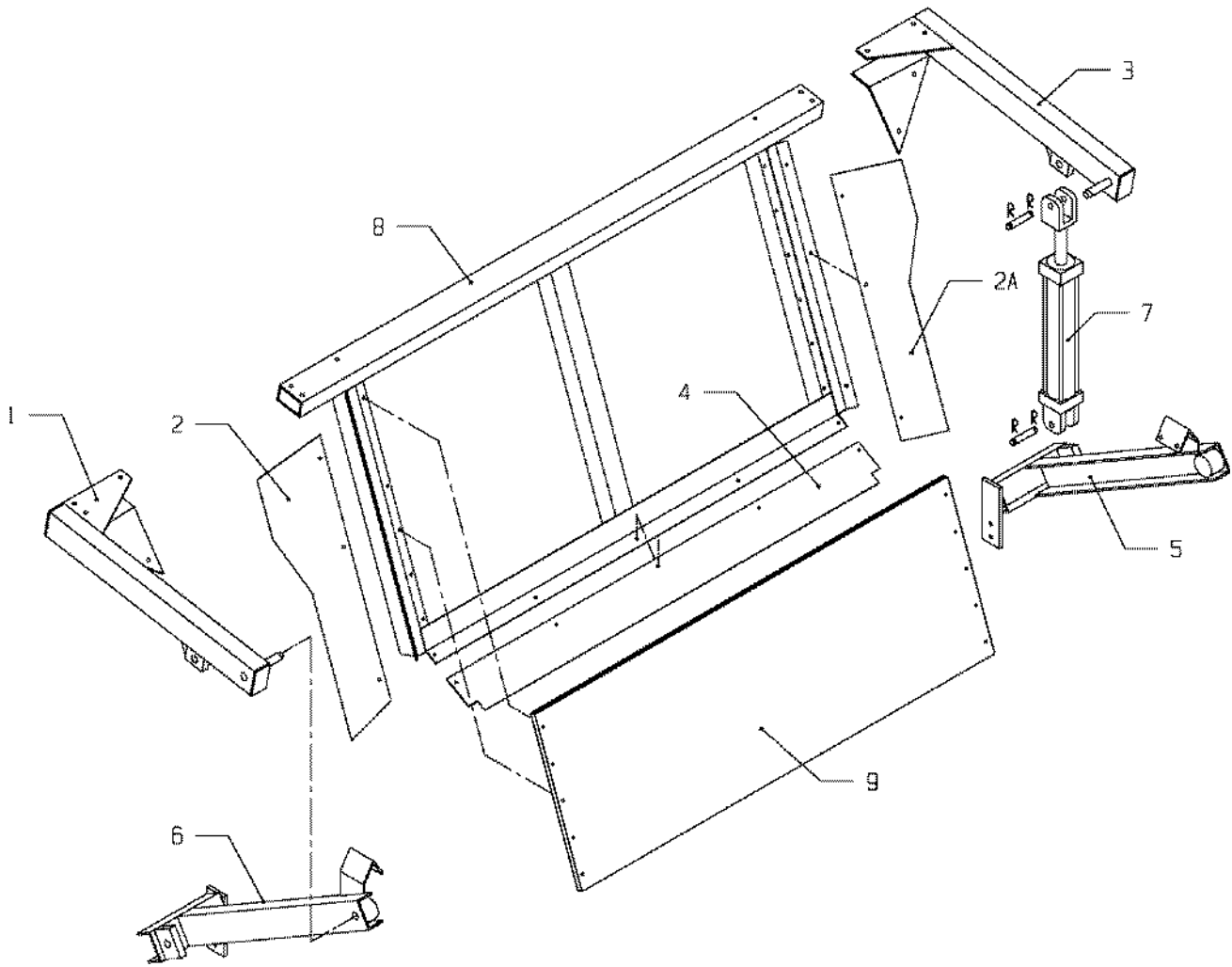
KEY	PART NO.	QTY 125	QTY. 160	QTY 225	DESCRIPTION
	E01997	1	0	0	Apron Complete #67 Pitch 14-39-1/2" Slats/164 Links
	E01998	0	1	0	Apron Complete #67 Pitch 16-51-13/16" Slats/198 Links
	E01999-10	0	0	1	Apron Complete #67P11 18-57" Slats/220 Links
1	E02000	166	200	0	Links, T-bar Positive Lock #67P5
	E02001	14	0	0	Slat w/Links 39-1/2" O.A.
	E02002	0	16	0	Slat w/Links 51-13/16" O.A.
	E02028	0	0	18	Slat w/Link 57" Overall #67P11
1A	E02027	0	0	220	Links #67P11
2	E02003	0	0	19	Slat - w/links 57" O.A.
3	E02004	4	4	4	Washer, Flat 1-1/2"
4	E02005	3	3	3	Bearing, Wood N-240642
6	E02006	1	1	1	Holder, Bearing - Right
8	E02007	2	2	2	Sprocket, Apron E67
9	E02008	2	2	2	Pin, Cotter - 1/4x2-1/2"
10	E02009	2	2	2	Key, Square - 3/8" x 2-1/4" Long
11	E02010	1	0	0	Shaft, Apron 1-1/2" Stress Proof 56"
	E02011	0	1	0	Shaft, Apron 1-1/2" Stress Proof 68-1/2"
	E02012	0	0	1	Shaft, Apron 1-1/2" Stress Proof 72-1/4"
12	E02013	1	0	0	Shield, Apron Shaft
	E02014	0	1	0	Shield, Apron Shaft
	E02015	0	0	1	Shield, Apron Shaft
13	E02016	1	1	1	Spacer - 1-3/4" - Right
14	E02017	1	1	1	Holder, Bearing - Left
15	E02018	1	1	0	Bracket, Apron Support - Left
19	E02022	1	1	0	Bracket, Apron Support - Right
20	E02023	1	1	1	Spacer - 1-1/4" - Left
21	E02024	1	1	1	Tightener Weldment, RH
22	E02034	2	2	2	Roller, Nylon
23	E02035	2	2	2	Pin, Cotter
24	E20728	2	2	2	Washer, Machinery
25	E02020	4	4	4	Nut, 3/4" NC
26		2	2	2	Bolt, 3/8-16x1
27		2	2	2	Washer, 3/8 Flat
28		2	2	2	Nut, 3/8-16
29	E02038	1	1	1	Tightener, Complete, RH
30	E02039	1	1	1	Tightener, Complete, LH
31	E02037	1	1	1	Tightener Weldment, LH

OPTIONAL FINE SPREAD PAN AND RELATED PARTS



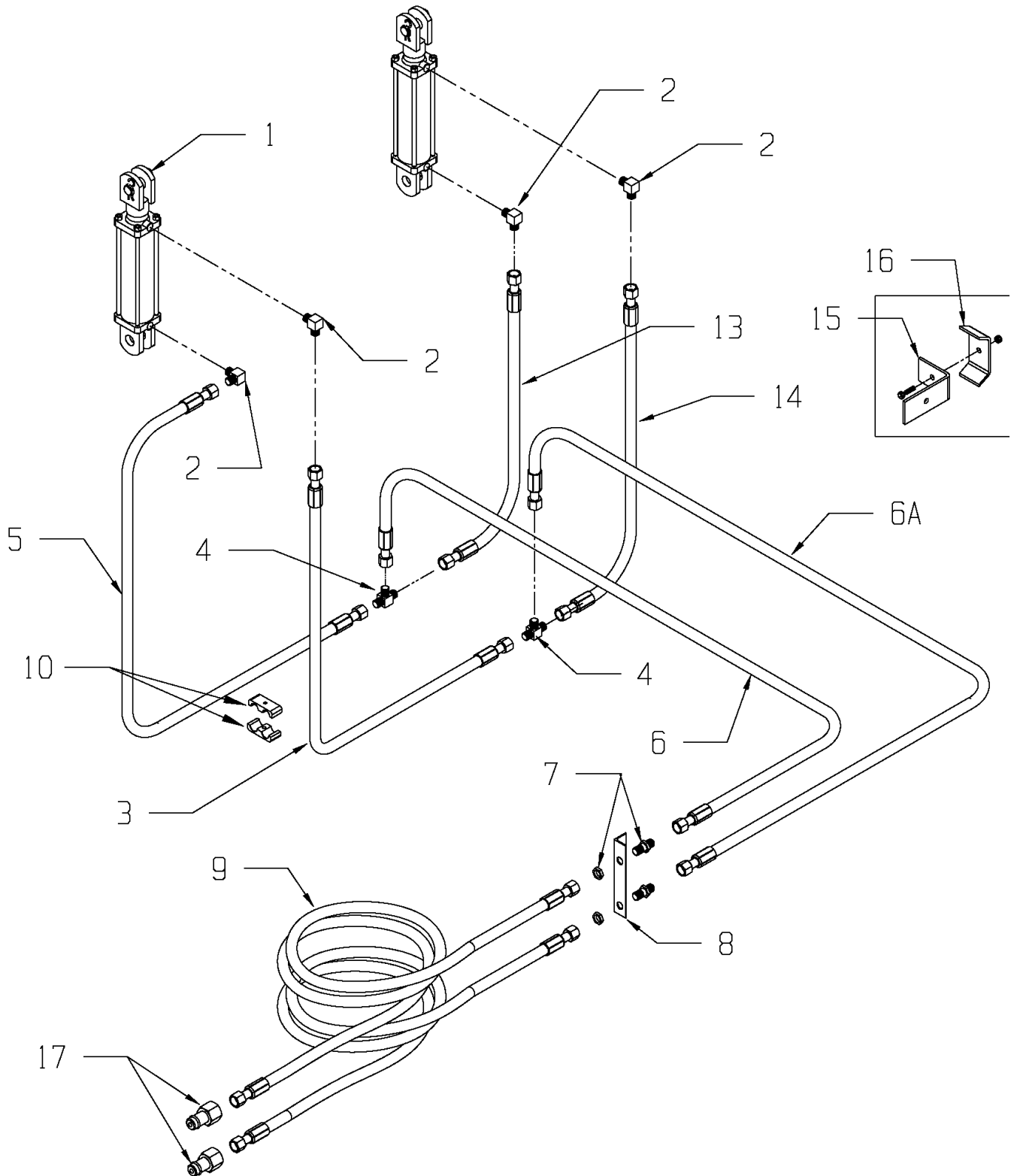
KEY	PART NO.	QTY 125	QTY. 160	QTY 225	DESCRIPTION
1	E02034FSP	1	1	1	Shield, Right Side
2	E02035FSP	1	0	0	Pan, Fine Spread
	E02036	0	1	0	Pan, Fine Spread
	E02037FSP	0	0	1	Pan, Fine Spread
3	E02038FSP	1	1	1	Mounting Plate, Left Side
4	E02039FSP	2	2	2	Washer, Flat - 5/8"
5	E02040	1	1	1	Shield, Left Side
6	E02041	1	0	0	Rod, Spread Pan
	E02042	0	1	0	Rod, Spread Pan
	E02043	0	0	1	Rod, Spread Pan
7	E02044	1	1	1	Lever, Left Catch
8	E01807	2	2	2	Spring
9	E02046	2	2	2	Rod, Catch
10	E02047	1	1	1	Catch, Left
11	E02048	1	0	0	Cable, Spread Pan - 13'
	E02049	0	1	0	Cable, Spread Pan - 15'
	E02050	0	0	1	Cable, Spread Pan - 17'
12	E02051	1	1	1	Bracket, Cable Pulley
13	E02052	2	2	2	Clamp, Cable
14	E02053	1	0	0	Belt, Spread Pan - 42-1/2" Long x 6" Wide
	E02054	0	1	0	Belt, Spread Pan - 55" Long x 6" Wide
	E02055	0	0	1	Belt, Spread Pan - 60" Long x 6" Wide
15	E02056	1	0	0	Hold Down, Belt
	E02057	0	1	0	Hold Down, Belt
	E02058	0	0	1	Hold Down, Belt
16	E02059	1	1	1	Mounting Plate, Right Side
17	E02060	1	1	1	Catch, Right
18	E02061	1	1	1	Lever, Right Catch
19	E02062	1	1	1	Pulley, Pan
	E02063	2	3	3	Spring, Pan Belt (not pictured)

OPTIONAL HYDRAULIC END GATE & RELATED PARTS



KEY	PART NO.	QTY 125	QTY. 160	QTY 225	DESCRIPTION
1	E02074	1	1	1	Arm, Right Tube
2	E02075	1	1	1	Belt, Right Side
2A	E02076	1	1	1	Belt, Left Side
3	E02077	1	1	1	Arm, Left Tube
4	E02078	1	0	0	Belt, Bottom End Gate - 43" Long x 10" Wide
	E02079	0	1	0	Belt, Bottom End Gate - 55-1/2" Long x 10" Wide
	E02080	0	0	1	Belt, Bottom End Gate - 60-1/2" Long x 10" Wide
5	E02081	1	1	1	Bracket, Left Hand Mounting
6	E02082	1	1	1	Bracket, Right Hand Mounting
7	REF	2	2	2	Cylinder Hydraulic (see separate listing)
8	E02083	1	0	0	Gate, Hydraulic Only w/Poly Boards 35-3/8" Wide
	E02084	0	1	0	Gate, Hydraulic Only w/Poly Boards 47-3/4" Wide
	E02085	0	0	1	Gate, Hydraulic Only w/Poly Boards 53" Wide
9	E02086-10	1	0	0	Sheet, Only 35 1/2" x 20 1/8"
	E02087-10	0	1	0	Sheet, Only 48 1/4" x 20 1/8"
	E02088-10	0	0	1	Sheet, Only 53 3/8" x 20 1/8"

END GATE HYDRAULIC PIPING FOR OPTIONAL END GATE
MODELS 125/160/225

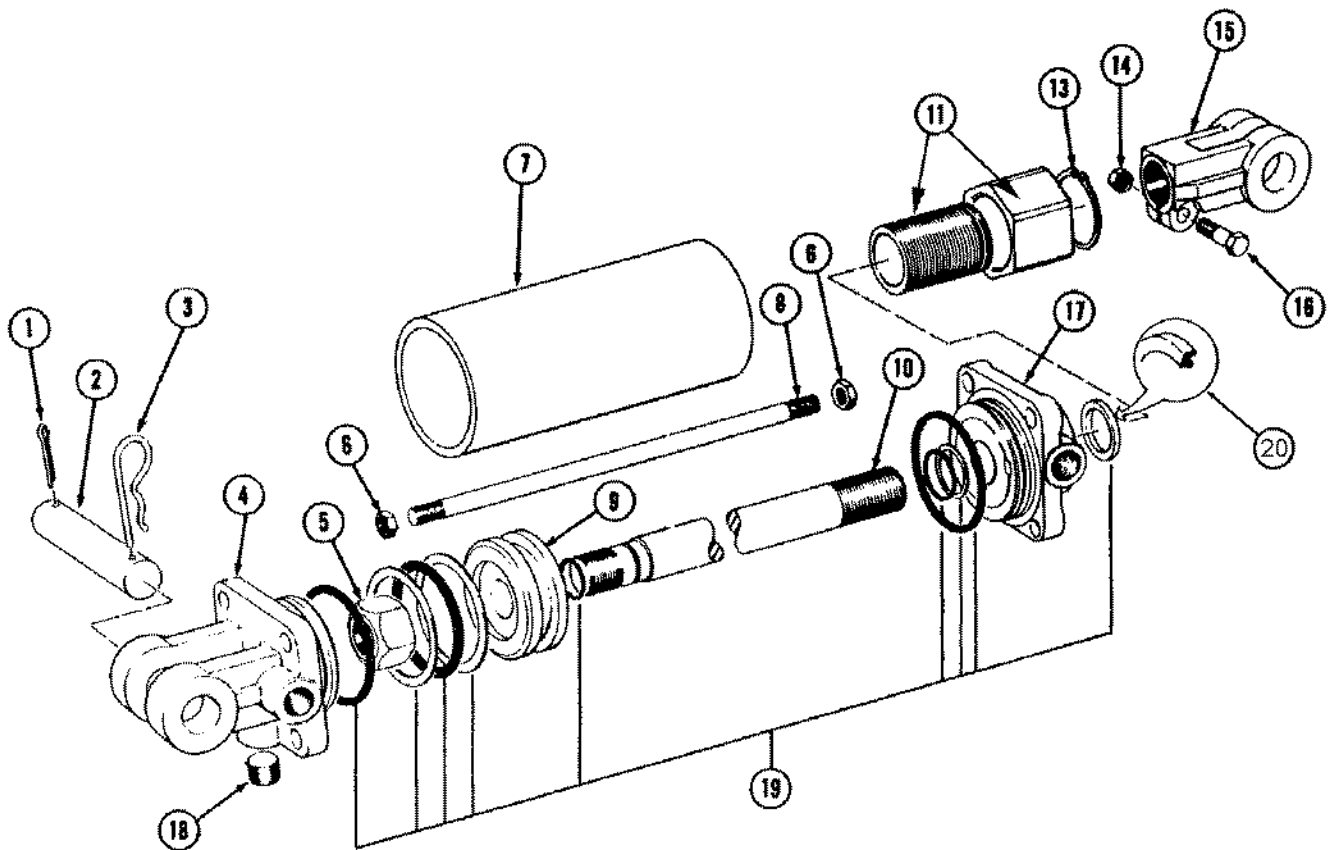


END GATE HYDRAULIC PIPING FOR OPTIONAL END GATE

Models 125/160/225

KEY	PART NO.	QTY. 125	QTY 160	QTY 225	DESCRIPTION
1	REF	2	2	2	Cylinder, End Gate Hydraulic (<i>See separate listing</i>)
2	E00067-04	4	4	4	Male JIC to Male ORB 90° Adapter
3	E02101-04	1			Hose, Hydraulic - 6M3K-6G8FJX-6G8FJX-65"
	E02102-04		1		Hose, Hydraulic - 6M3K-6G8FJX-6G8FJX-77"
	E02103-04			1	Hose, Hydraulic - 6M3K-6G8FJX-6G8FJX-82"
4	E00069-00	2	2	2	Bulk Head Run Tee 2704-LN-8
5	E02104-04	1			Hose, Hydraulic - 6M3K-6G8FJX-6G8FJX-59"
	E02106-04		1		Hose, Hydraulic - 6M3K-6G8FJX-6G8FJX-71"
	E02107-04			1	Hose, Hydraulic - 6M3K-6G8FJX-6G8FJX-76"
6	E02108-04	1			Hoses, 6M3K-6G8FJX-6G8FJX-121"
	E02110-04		1		Hoses, 6M3K-6G8FJX-6G8FJX-145"
	E02111-04			1	Hoses, 6M3K-6G8FJX-6G8FJX-169"
6A	E02121-04	1			Hose, Hydraulic - 6M3K-6G8FJX-6G8FJX-119"
	E02122-04		1		Hose, Hydraulic - 6M3K-6G8FJX-6G8FJX-143"
	E02123-04			1	Hose, Hydraulic - 6M3K-6G8FJX-6G8FJX-167"
7	E21445	2	2	2	Adapter JIC Bulkhead 2700-LN-8
8	E00074	1	1	1	Bracket
9	E01590	2	2	2	Hose, Hydraulic - 6M3K-6G8FJX-6G8MP-102"
10	E00079	2	2	2	3/8" Hose Bracket
13	E02112-04	2	2	2	Hose, Hydraulic - 6M3K-6G8FJX-6G8FJX-16 1/2"
14	E02115-04	2	2	2	Hose, Hydraulic - 6M3K-6G8FJX-6G8FJX-22"
15	E02118	4	5	6	Bracket, Hose Clamp
16	E02119	4	5	6	Clamp, Hose
17	E01591	2	2	2	Quick Coupler 8010-4P

HYDRAULIC CYLINDER



KEY	PART NO.	QTY 125	QTY. 160	QTY 225	DESCRIPTION
	E02140-00	2	2	2	Cylinder, Hydraulic w/O-Ring Ports 3" x 8"
1	E00091	2	2	2	Pin, Cotter
2	E00092	2	2	2	Pin, Cylinder Mounting - 1"
3	E00093	2	2	2	Pin, Clip
4	E00094-00	1	1	1	Cap, Clevis O-Ring Ports
5	E00095	1	1	1	Nut, Piston
6	E00096	8	8	8	Nut, Tie Rod
7	E00097	1	1	1	Tube, Cylinder
8	E00098	4	4	4	Rod, Tie
9	E00099	1	1	1	Piston
10	E00100	1	1	1	Rod
11	E00101	1	1	1	Sleeve, Collar Control
13	E00103	1	1	1	Ring, Retaining
14	E00104	1	1	1	Nut, Clevis
15	E00105	1	1	1	Clevis, Rod
16	E00106	1	1	1	Bolt, Clevis
17	E00107-00	1	1	1	Cap, Rod O-Ring Ports
18	E00108-00	1	1	1	Plug, Port O-Ring #6408-8
19	E00109	1	1	1	Kit, Seal
20	E00110	1	1	1	Wiper, Seal

This Page Intentionally Blank.

LIMITED WARRANTY STATEMENT

Meyer's Equipment Mfg. Corp. warrants each new Meyer's E.M.C. product to be free from: defects in material and workmanship. This warranty is applicable only for the normal service life expectancy of the product or components, not to exceed 12 consecutive months from the date of delivery of the new Meyer's E.M.C. product to the original purchaser.

Genuine Meyer's E.M.C. replacement parts and components will be warranted for 365 days from date of purchase, or the remainder of the original equipment warranty period, whichever is longer.

Under no circumstances will it cover any merchandise or components thereof, which, in the opinion of the company, has been subjected to misuse, unauthorized modifications, alteration, and accident or if repairs have been made with parts other than those obtainable through Meyer's E.M.C.

Our obligation under this warranty shall be limited to repairing or replacing, free of charge to the original purchaser, any part that, in our judgement, shall show evidence of such defect, provided further that such part shall be returned within thirty (30) days from date of failure to Meyer's E.M.C., routed through the dealer and distributor from whom the purchase was made, transportation charges prepaid. Labor charges will be paid at a specified rate. Mileage will not be paid.

This warranty shall not be interpreted to render Meyer's E.M.C. liable for injury or damages of any kind or nature to person or property. This warranty does not extend to the loss of crops, loss because of delay in harvesting, or any expense or loss incurred for labor, substitute machinery, rental or for any other reason.

In addition to the above limited warranty statement the following applies:

Meyer's E.M.C. will replace (F.O.B. Dorchester) as Meyer's E.M.C. elects, for 10 years from purchase date - any polyethylene plastic boards which compromises the floor, sides, rear or front of the box portion of the manure spreader box (not labor) from rotting under normal usage to the original owner.

Except as set forth above, **Meyer's E.M.C. shall have no obligation or liability of any kind on account of any of its equipment and shall not be liable for special or consequential damages. Meyer's E.M.C. disclaims any implied warranty or merchantability or fitness for a particular purpose. Some states or provinces do not permit limitations or exclusions of implied warranties or incidental or consequential damages, so the limitations or exclusion in this warranty may not apply.**